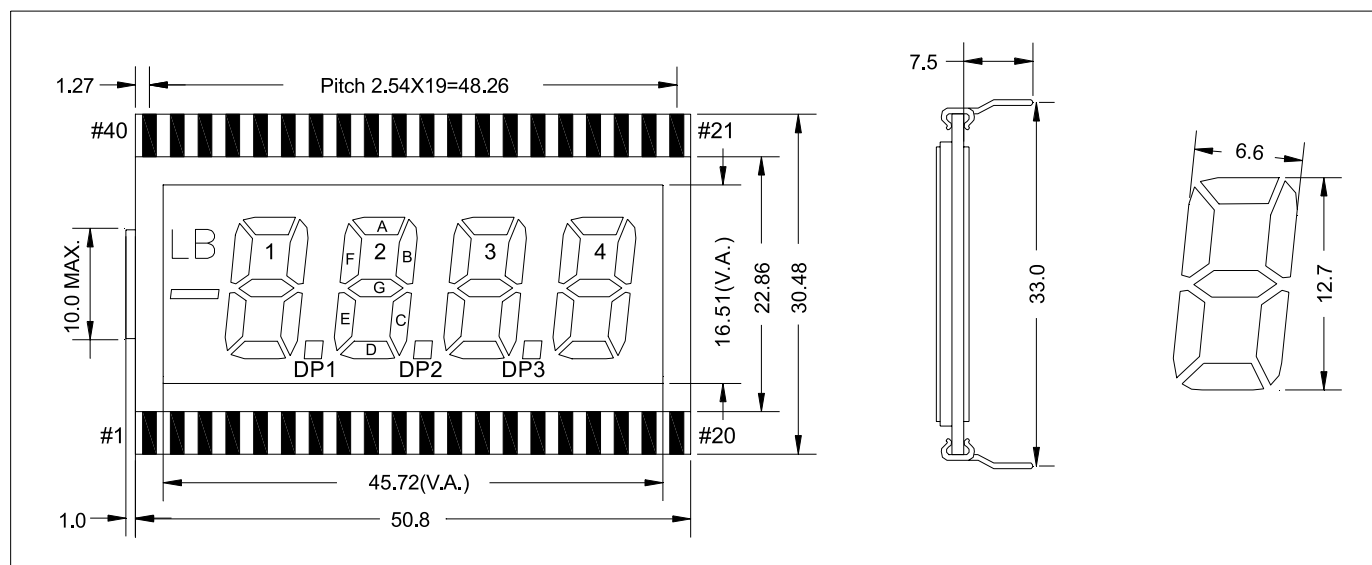


① EXTERNAL DIMENSION



② LOGIC

PIN#	1	2	3	4	5	6	7	8	9	10	11	12	13	14
SYM.	COM	LB	—	\	1E	1D	1C	1DP	2E	2D	2C	2DP	3E	3D
PIN#	15	16	17	18	19	20	21	22	23	24	25	26	27	28
SYM.	3C	3DP	4E	4D	4C	4B	4A	4F	4G	3B	3A	3F	3G	\
PIN#	29	30	31	32	33	34	35	36	37	38	39	40		
SYM.	2B	2A	2F	2G	\	1B	1A	1F	1G	\	\	COM		

AN 400-1270LB X X X
1 2 3 4 5

1 NUMERIC DISPLAY

2 PART NUMBER

3 POLARIZER MODE - R = REFLECTIVE
- T = TRANSMISSIVE
- F = TRANSFLECTIVE

4 TEMPERATURE
- S = STANDARD TEMPERATURE
- H = HIGH TEMPERATURE

5 POLARIZER COLOR
- N = NEUTRAL
- R=RED
- B=BLUE
- G=GOLD