

EXAMINED BY :	EMERGING DISPLAY  TECHNOLOGIES CORPORATION	FILE NO . CAS-10203
<i>Jony Chen</i>		ISSUE : JAN.06,2000
APPROVED BY:		TOTAL PAGE : 7
<i>David Chang</i>		VERSION : 1

CUSTOMER	ACCEPTANCE	SPECIFICATIONS
----------	------------	----------------

MODEL NO. :

ES16201(REFLECTIVE TYPES)

FOR MESSRS :

\_\_\_\_\_

CUSTOMER'S APPROVAL

DATE :

\_\_\_\_\_

BY :

\_\_\_\_\_

EMERGING DISPLAY  
TECHNOLOGIES CORPORATION

MODEL NO .  
ES16201(REFLECTIVE TYPES)

VERSION  
1

RECORDS OF REVISION

DOC . FIRST ISSUE

JAN.06,2000

DATE	REVISED PAGE NO.	SUMMARY

**ACDS** 175-177 route de Genas - 69100 VILLEURBANNE - France

Tél : +33 4 72 91 26 80 - Fax : +33 4 72 35 18 06

Web site: <http://www.acds.fr> Email: [edt@acds.fr](mailto:edt@acds.fr)

NUMBERING SYSTEM

Polarizer Mode	Backlight	Code value
Reflective	—	R

Module type :  
S : Chip on glass

E	S	16	2	01	G	R
---	---	----	---	----	---	---

LCD type + LCD color	Code Value
STN + Yellow-Green	Y
STN + Gray	G

TABLE OF CONTENTS

NO.	ITEM	PAGE
1.	GENERAL SPECIFICATIONS -----	1
2.	MECHANICAL SPECIFICATIONS -----	1
3.	ABSOLUTE MAXIMUM RATINGS -----	2
4.	ELECTRICAL CHARACTERISTICS -----	3
5.	OPTICAL CHARACTERISTICS -----	3
6.	OUTLINE DIMENSION -----	4
7.	DETAIL DRAWING OF DOT MATRIX -----	5
8.	BLOCK DIAGRAM -----	5
9.	INTERFACE SIGNALS -----	6
10.	POWER SUPPLY -----	7
11.	DISPLAY DATA RAM ADDRESS -----	7

1. GENERAL SPECIFICATIONS

1.1 GENERAL SPECIFICATIONS  
PLEASE REFER TO :

CUSTOMER ACCEPTANCE STANDARD SPECIFICATIONS :  
EU - 002A

1.2 APPLICATION NOTES FOR CONTROLLER / DRIVER : NT7603  
PLEASE REFER TO :

CUSTOMER ACCEPTANCE STANDARD SPECIFICATIONS :  
EU - NT7603

1.3 THIS INDIVIDUAL SPECIFICATIONS IS PRIOR TO GENERAL  
SPECIFICATIONS .

2. MECHANICAL SPECIFICATIONS

- (1) NUMBER OF CHARACTER ----- 16 CH \* 2 LINE
- (2) MODULE SIZE ----- 69.0W \* 30.0H \* 3.0D (max.) mm
- (3) EFFECTIVE AREA ----- 63.0W \* 18.0H mm
- (4) CHARACTER FONT ----- 5 \* 7 DOTS + CURSOR
- (5) CHARACTER SIZE ----- 2.96W \* 5.56H mm
- (6) CHARACTER PITCH ----- 3.55(W)\*5.94 (H)
- (7) DOT SIZE ----- 0.56W \* 0.66H mm
- (8) DOT PITCH ----- 0.60W \* 0.70H mm
- (9) LCD TYPE \*
- (10) DRIVING METHOD ----- 1 / 16 DUTY MULTIPLEX DRIVE
- (11) VIEWING DIRECTION \*

\* PLEASE REFER TO NUMBERING SYSTEM

### 3. ABSOLUTE MAXIMUM RATINGS

#### 3.1 ELECTRICAL ABSOLUTE MAXIMUM RATINGS . ( AT Ta = 25 °C )

PARAMETER	SYMBOL	MIN .	MAX .	UNIT	REMARK
POWER SUPPLY FOR LOGIC	VDD – VSS	0	7.0	V	
POWER SUPPLY FOR LCD DRIVE	VDD – VO	0	5.0	V	
INPUT VOLTAGE	VI	VSS	VDD	V	
STATIC ELECTRICITY	—	—	100	V	NOTE (1)

NOTE (1) : TEST METHOD AND CONDITIONS :  
AFTER CHARGING UP 200 PF CAPACITOR BY STATED VOLTAGE ,  
THE CAPACITOR IS CONNECTED WITH INTERFACE PINS OF THE  
MODULE .

#### 3.2 ENVIRONMENTAL ABSOLUTE MAXIMUM RATINGS .

I T E M	OPERATING		STORAGE		REMARK
	MIN .	MAX .	MIN .	MAX .	
AMBIENT TEMPERATURE	- 20 °C	70 °C	- 30 °C	80 °C	NOTE (2) , (3)
HUMIDITY	—	90 % RH	—	90 % RH	WITHOUT CONDENSATION
VIBRATION	—	4.9 m/s <sup>2</sup> (0.5 G)	—	19.6 m/s <sup>2</sup> (2 G)	
SHOCK	—	29.4 m/s <sup>2</sup> (3 G)	—	490.0 m/s <sup>2</sup> (50 G)	XYZ DIRECTIONS
CORROSIVE GAS	NOT ACCEPTABLE		NOT ACCEPTABLE		

NOTE (2) : Ta AT -30°C : 48HR MAX .  
80°C : 168HR MAX .

NOTE (3) : BACKGROUND COLOR CHANGES SLIGHTLY DEPENDING ON AMBIENT  
TEMPERATURE THIS PHENOMENON IS REVERSIBLE .

#### 4. ELECTRICAL CHARACTERISTICS

PARAMETER	SYMBOL	CONDITION	Ta = 25°C			UNIT	NOTE
			MIN.	TYP.	MAX.		
H LEVEL INPUT VOLTAGE	VIH	—	2.2	—	VDD	V	2
L LEVEL INPUT VOLTAGE	VIL	—	-0.3	—	0.8	V	—
H LEVEL OUTPUT VOLTAGE	VOH	-IOH = 0.2 mA	2.4	—	—	V	2
L LEVEL OUTPUT VOLTAGE	VOL	IOL = 1.2 mA	—	—	0.4	V	—
POWER SUPPLY CURRENT (LOGIC)	IDD	VDD = 5.0 V	—	1.0	1.5	mA	—
RECOMMENDED LCD DRIVING VOLTAGE	VDD - VO ∅ = 10° θ = 0° DUTY = 1/16	Ta = -20 °C	—	4.5	—	V	—
			—	4.5	—		
			—	4.5	—		
CLOCK OSCILLATION FREQUENCY	FOSC	Ta = 25 °C	380	540	700	KHZ	—

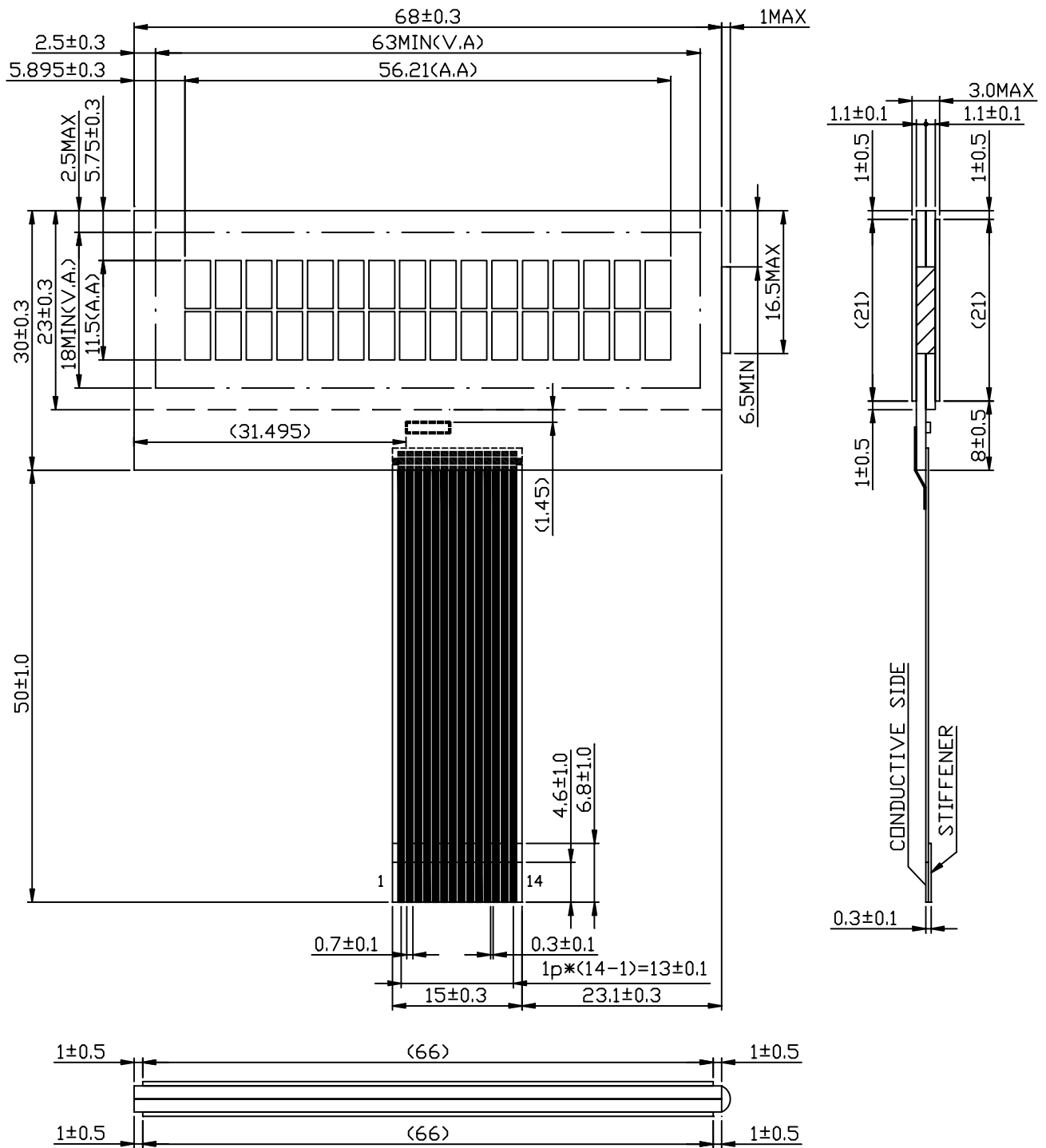
#### 5. OPTICAL CHARACTERISTICS.

I T E M	SYMBOL	CONDITION	Ta = 25°C			UNIT	NOTE	
			MIN.	TYP.	MAX.			
VIEWING AREA	∅ 2 - ∅ 1	K ≥ 1.4	30	—	—	deg.	1	
CONTRAST RATIO	K	∅ = 10° θ = 0°	—	5	—	—	1	
RESPONSE TIME	tr ( rise )	∅ = 10° θ = 0°	Ta = -20°C	—	5538	—	ms	1
			Ta = 25°C	—	228	—		
			Ta = 70°C	—	104	—		
	tf ( fall )		Ta = -20°C	—	2316	—		
			Ta = 25°C	—	174	—		
			Ta = 70°C	—	85	—		

NOTE (1): PLEASE REFER TO :  
CUSTOMER ACCEPTANCE STANDARD SPECIFICATION : E U - 0 0 2 A

NOTE (2): APPLICABLE : DB0 ~ DB7 , RS , R/W ,E

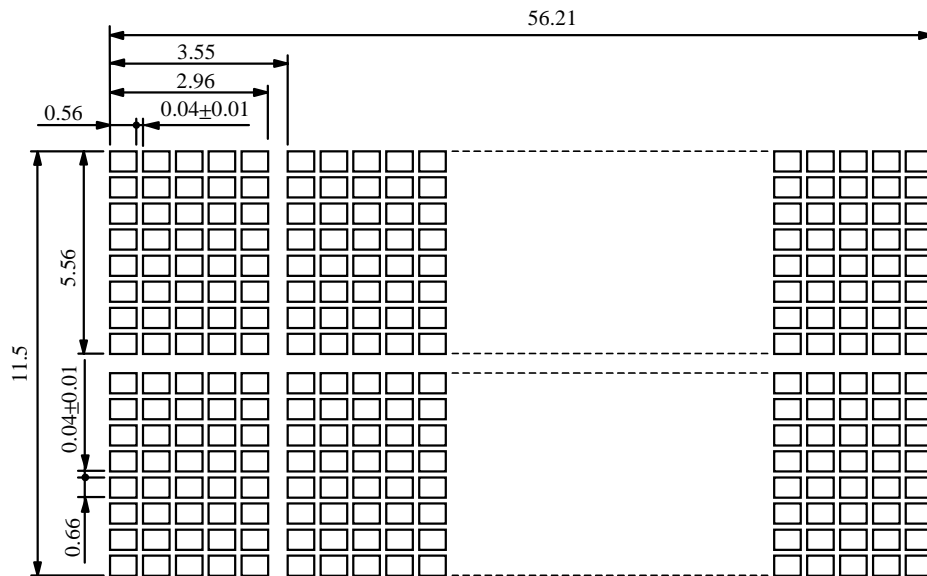
6. OUTLINE DIMENSION



UNIT : mm  
SCALE : NTS  
NOT SPECIFIED TOLERANCE IS  $\pm 0.5$

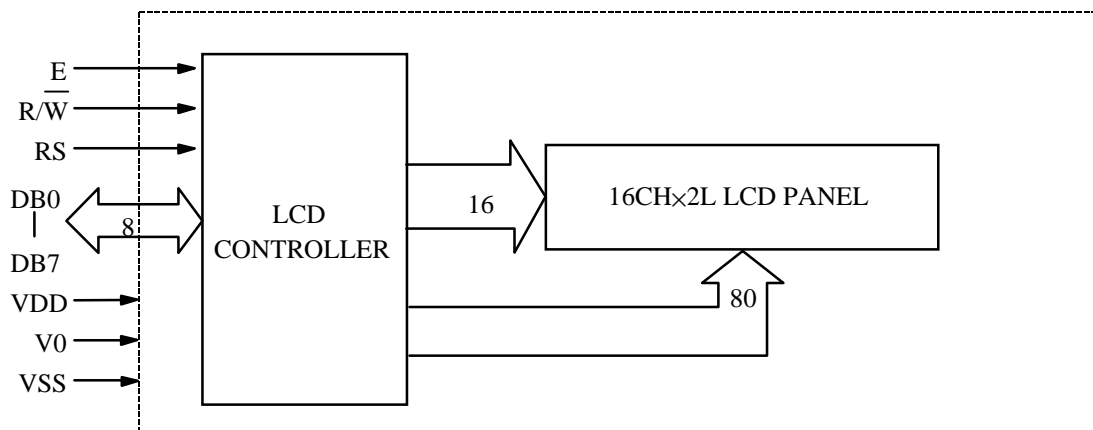


7. DETAIL DRAWING OF DOT MATRIX



UNIT : mm  
SCALE : NTS  
NOT SPECIFIED TOLERANCE IS ± 0.1

8. BLOCK DIAGRAM

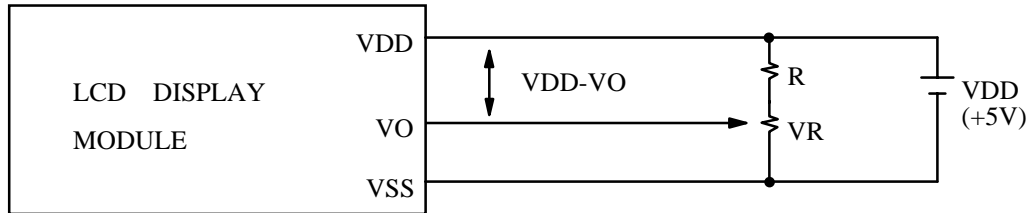


9. INTERFACE SIGNALS

PIN NO.	SYMBOL	DESCRIPTION	FUNCTION
1	VSS	GROUND	0V (GND)
2	VO	LCD CONTRAST ADJUSTMENT	
3	VDD	POWER SUPPLY FOR LOGIC CIRCUIT	+5V
4	RS	INSTRUCTION/DATA REGISTER SELECTION	RS = 0 : INSTRUCTION REGISTER RS = 1 : DATA REGISTER
5	$\overline{R/W}$	READ/WRITE SELECTION	$\overline{R/W}$ = 0 : REGISTER WRITE $\overline{R/W}$ = 1 : REGISTER READ
6	E	ENABLE INPUT	
7	DB0	DATA INPUT/OUTPUT LINES	4 BIT/8BIT SELECTABLE 4 BIT : DB4 - DB7 8 BIT : DB0 - DB7
8	DB1		
9	DB2		
10	DB3		
11	DB4		
12	DB5		
13	DB6		
14	DB7		

## 1 0 . POWER SUPPLY

### 1 0 . 1 POWER SUPPLY FOR LCD MODULE



VDD - VO : LCD DRIVING VOLTAGE

VR : 10K  $\Omega$  ~ 20K  $\Omega$

RECOMMENDED RESISTOR R : VDD - VO  $\geq$  1.5 V

### 1 1 . DISPLAY DATA RAM ADDRESS

CHARACTER	1	2	3	4	5	6	7	8	9	10	11	12	13	14	15	16
LINE 1	80	81	82	83	84	85	86	87	88	89	8A	8B	8C	8D	8E	8F
LINE 2	C0	C1	C2	C3	C4	C5	C6	C7	C8	C9	CA	CB	CC	CD	CE	CF