

EXAMINED BY :	EMERGING DISPLAY TECHNOLOGIES CORPORATION	FILE NO . CAS-10298
<i>Vincent Uh</i>		ISSUE : SEP.03,2002
APPROVED BY:		TOTAL PAGE : 9
<i>Roger Yang</i>		VERSION : 1

CUSTOMER

ACCEPTANCE

SPECIFICATIONS

MODEL NO. :

13B10(WHITE LED TYPES)

FOR MESSRS :

CUSTOMER'S APPROVAL

DATE :

BY :

EMERGING DISPLAY
TECHNOLOGIES CORPORATION

MODEL NO .	VERSION
13B10(WHITE LED TYPES)	1

RECORDS OF REVISION	DOC . FIRST ISSUE	SEP.03,2002
---------------------	-------------------	-------------

DATE	REVISED PAGE NO.	SUMMARY

Polarizer Mode	Backlight	Code value
Transflective	LED	L
Transmissive	LED	M

E W 13 B 10 F L W

LCD type + LCD color	Code Value
STN + Yellow-Green	Y
STN + Gray	G
FSTN + White	F

TABLE OF CONTENTS

NO.	ITEM	PAGE
1.	GENERAL SPECIFICATIONS -----	1
2.	MECHANICAL SPECIFICATIONS -----	1
3.	ABSOLUTE MAXIMUM RATINGS -----	2
4.	ELECTRICAL CHARACTERISTICS -----	3
5.	INTERFACE TIMING CHARACTERISTICS -----	4
6.	OPTICAL CHARACTERISTICS -----	5
7.	OUTLINE DIMENSION -----	6
8.	BLOCK DIAGRAM -----	7
9.	DETAIL DRAWING OF DOT MATRIX -----	8
10.	INTERFACE SIGNALS -----	8
11.	POWER SUPPLY -----	9

1. GENERAL SPECIFICATIONS

1.1 GENERAL SPECIFICATIONS

PLEASE REFER TO :

CUSTOMER ACCEPTANCE STANDARD SPECIFICATIONS :

EU - 002 A

1.2 APPLICATION NOTES FOR CONTROLLER

PLEASE REFER TO :

CUSTOMER ACCEPTANCE STANDARD SPECIFICATIONS :

EU - 100

1.3 THIS INDIVIDUAL SPECIFICATION IS PRIOR TO GENERAL SPECIFICATIONS .

2. MECHANICAL SPECIFICATIONS

- | | | |
|--------------------|-------|-------------------------------|
| (1) NUMBER OF DOTS | ----- | 128W * 64H DOTS |
| (2) MODULE SIZE | ----- | 77.8W * 69.8H * 14.0D(max) mm |
| (3) EFFECTIVE AREA | ----- | 70.7W * 38.8H mm |
| (4) ACTIVE AREA | ----- | 65.25W * 32.61H mm |
| (5) DOT SIZE | ----- | 0.48W * 0.48H mm |
| (6) DOT PITCH | ----- | 0.51W * 0.51H mm |
| (7) LCD TYPE * | | |
| (8) DRIVING METHOD | ----- | 1 / 64 DUTY MULTIPLEX DRIVE |
| (9) BACKLIGHT | ----- | LED , COLOR : WHITE |

* PLEASE REFER TO NUMBERING SYSTEM .

3. ABSOLUTE MAXIMUM RATINGS

3.1 ELECTRICAL ABSOLUTE MAXIMUM RATINGS .

PARAMETER	SYMBOL	MIN .	MAX .	UNIT	REMARK
POWER SUPPLY FOR LOGIC	VDD – VSS	0	7.0	V	
INPUT VOLTAGE	VI	VSS	VDD	V	
STATIC ELECTRICITY	—	—	100	V	NOTE (1)
LED REVERSE VOLTAGE	VR	—	5	V	

NOTE (1) : TEST METHOD AND CONDITIONS :
AFTER CHARGING UP 200 PF CAPACITOR BY STATED VOLTAGE ,
THE CAPACITOR IS CONNECTED WITH INTERFACE PINS OF THE
MODULE .

3.2 ENVIRONMENTAL ABSOLUTE MAXIMUM RATINGS .

I T E M	OPERATING		STORAGE		REMARK
	MIN .	MAX .	MIN .	MAX .	
AMBIENT TEMPERATURE	- 20 °C	70 °C	- 30 °C	80 °C	NOTE(2) , (3)
HUMIDITY	—	85 % RH	—	85 % RH	WITHOUT CONDENSATION
VIBRATION	—	2.45 m/s ² (0.25 G)	—	11.76 m/s ² (1.2 G)	10~100 HZ XYZ DIRECTIONS 1 Hr . EACH
SHOCK	—	29.4 m/s ² (3 G)	—	490.0 m/s ² (50 G)	1 Mseconds XYZ DIRECTIONS 1 TIME EACH
CORROSIVE GAS	NOT ACCEPTABLE		NOT ACCEPTABLE		

NOTE (2) : Ta AT -30°C : 48HR MAX .
80°C : 168HR MAX .

NOTE (3) : BACKGROUND COLOR CHANGES SLIGHTLY DEPENDING ON AMBIENT
TEMPERATURE THIS PHENOMENON IS REVERSIBLE .

4. ELECTRICAL CHARACTERISTICS

Ta = 25 °C

VDD = 5.0 V

PARAMETER	SYMBOL	CONDITION	MIN.	TYP.	MAX.	UNIT
POWER SUPPLY VOLTAGE FOR LOGIC	VDD - VSS	—	4.75	5.0	5.25	V
INPUT VOLTAGE NOTE (1)	VIH	H LEVEL	0.7*VDD	—	VDD	V
	VIL	L LEVEL	GND	—	0.3*VDD	V
OUTPUT VOLTAGE NOTE (1)	VOH	H LEVEL	VDD-0.4	—	—	V
	VOL	L LEVEL	—	—	0.4	V
POWER SUPPLY CURRENT FOR LOGIC NOTE (2)	IDD	VDD - VSS = 5.0 V VDD - VO = 9.2V	—	7.0	—	mA
RECOMMENDED LCD DRIVING VOLTAGE NOTE (3)	VDD - VO ∅ = 10° θ = 0°	Ta = -20 °C	8.2	9.2	10.2	V
		Ta = 25 °C	8.2	9.2	10.2	
		Ta = 70 °C	7.4	8.4	9.4	
POWER SUPPLY FOR LED B/L	VLED - VLSS	IF = 60 mA	—	5.0	—	V

NOTE (1): APPLIED TO TERMINALS CS1, CS2, R/ \overline{W} , D/I, DB0~DB7, E, \overline{RST} .

NOTE (2): THE DISPLAY PATTERN IS ALL "OFF" / "ON".

5. INTERFACE TIMING CHARACTERISTICS

PARAMETER	SYMBOL	MIN.	TYP.	MAX.	UNIT	FIG.
E cycle time	t_{CYC}	1000	—	—	nS	1,2
E high level	P_{WEH}	450	—	—	nS	1,2
E low level width	P_{WEL}	450	—	—	nS	1,2
E rise time	t_r	—	—	25	nS	1,2
E fall time	t_f	—	—	25	nS	1,2
Address setup time	t_{AS}	140	—	—	nS	1,2
Address hold time	t_{AH}	10	—	—	nS	1,2
Data setup time	t_{DSW}	200	—	—	nS	1
Data delay time	t_{DDR}	—	—	320	nS	2
Data hold time (Write)	t_{DHW}	10	—	—	nS	1
Data hold time (Read)	t_{DHR}	20	—	—	nS	2

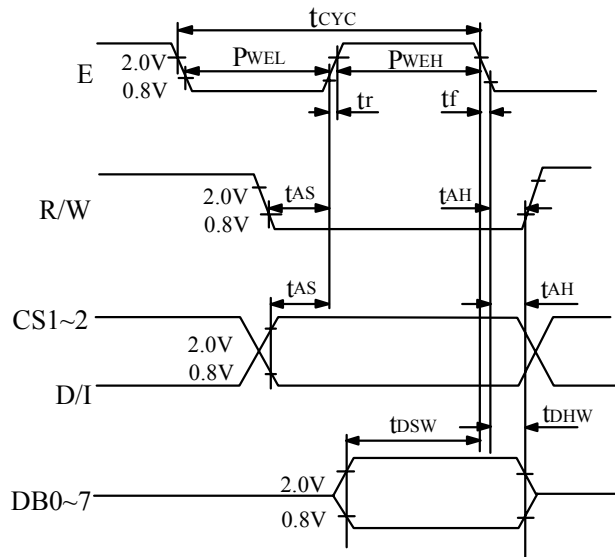


Fig . 1 CPU Write Timing

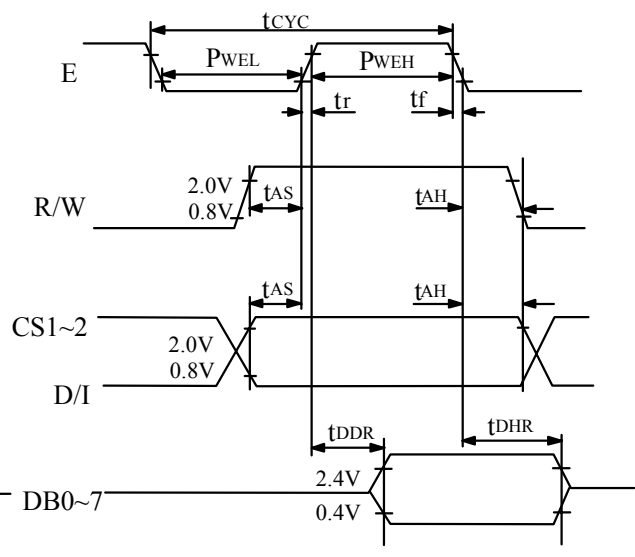


Fig . 1 CPU Read Timing

6. OPTICAL CHARACTERISTICS

Ta = 25 °C

VDD = 5.0 V

VDD - V0 = 9.2 V

I T E M		SYMBOL	CONDITION	MIN.	TYP.	MAX.	UNIT	NOTE
VIEWING AREA	STN	∅ 2 - ∅ 1	K ≥ 1.4	30	—	—	deg.	1
	FSTN			40	—	—	deg.	1
CONTRAST RATIO	STN	K	∅ = 10° θ = 0°	—	5	—		1
	FSTN			—	8	—		1
RESPONSE TIME	tr (rise)	∅ = 10° θ = 0°	Ta = -20°C	—	5538	—	ms	1
			Ta = 25°C	—	228	—		
			Ta = 70°C	—	104	—		
	tf (fall)		Ta = -20°C	—	2316	—		
			Ta = 25°C	—	174	—		
			Ta = 70°C	—	85	—		
THE BRIGHTNESS OF MDL	L	VLED - VLSS = 5.0 V	10	17	—	cd/m ²	1, 2	
			15	28	—		1, 3	

NOTE (1) : PLEASE REFER TO :

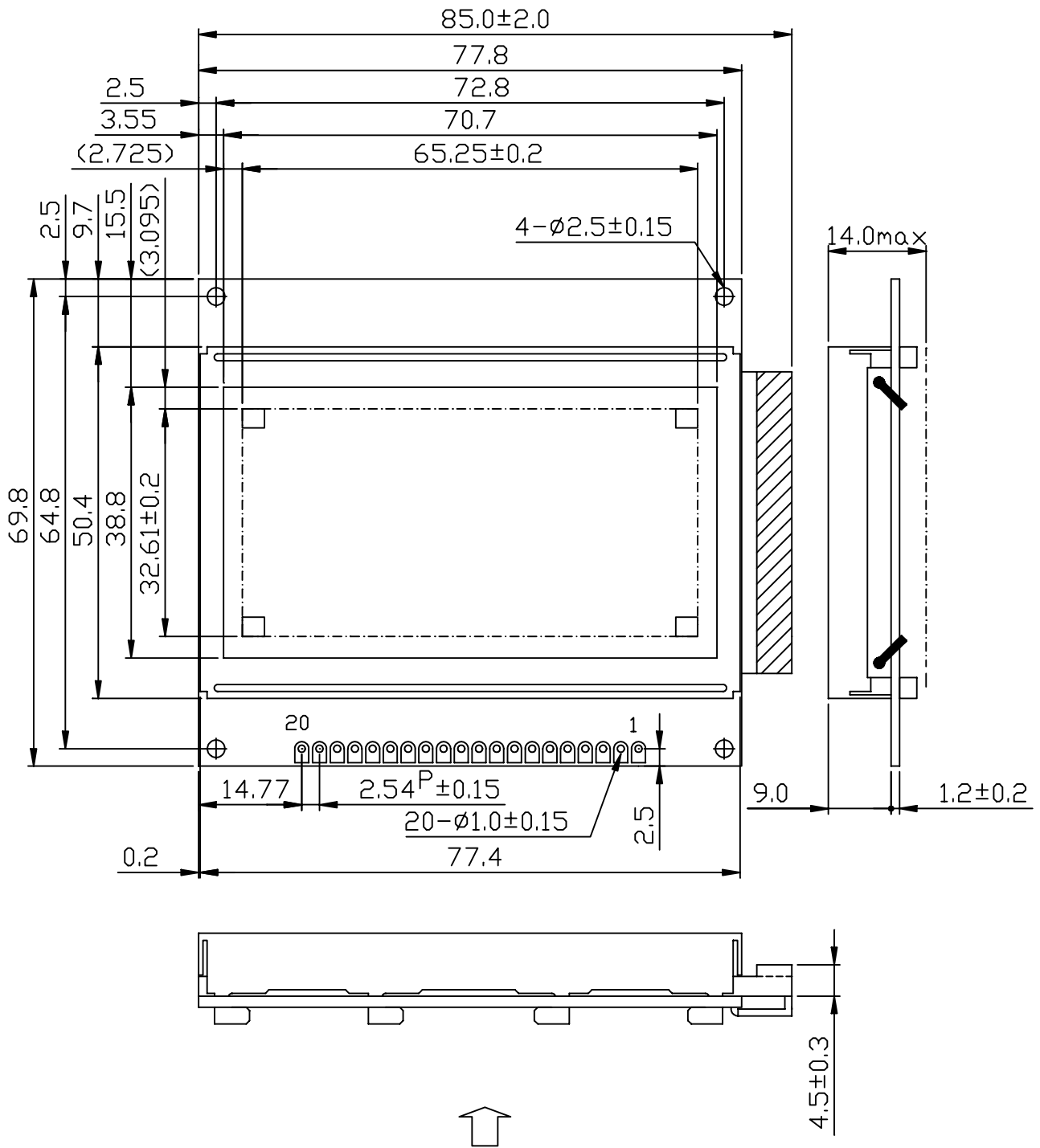
CUSTOMER ACCEPTANCE STANDARD SPECIFICATIONS.

EU - 001 A

NOTE (2) : POLARIZER MODE : TRANSFLECTIVE

NOTE (3) : POLARIZER MODE : TRANSMISSIVE

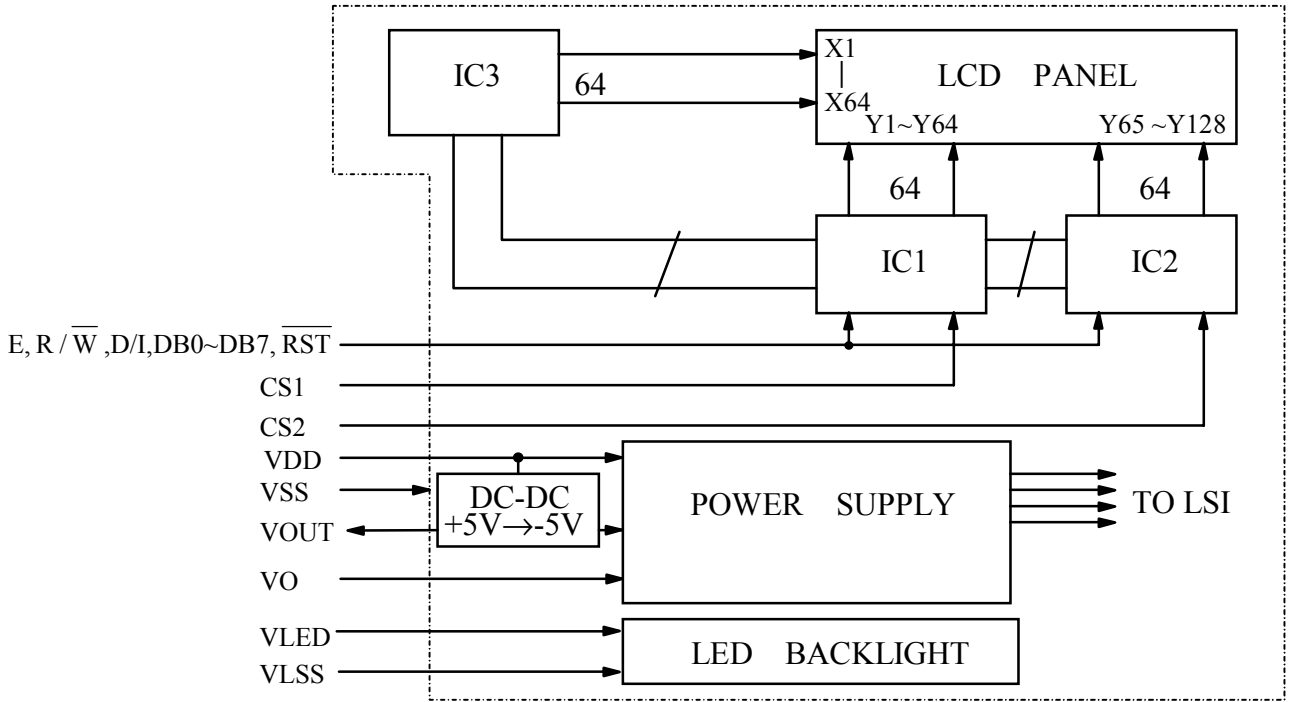
7. OUTLINE DIMENSION



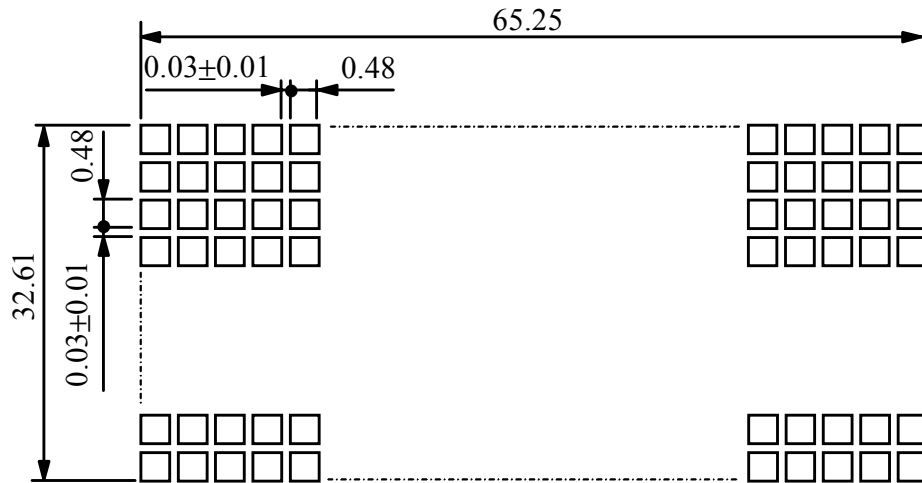
VIEWING DIRECTION

UNIT : mm
SCALE : NTS
NOT SPECIFIED TOLERANCE IS ± 0.5

8. BLOCK DIAGRAM



9. DETAIL DRAWING OF DOT MATRIX



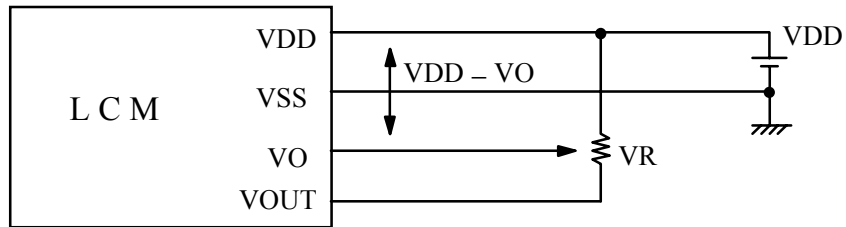
UNIT : mm
SCALE : NTS
NOT SPECIFIED TOLERANCE IS ±0.1

10. INTERFACE SIGNALS

PIN NO	SYMBOL	LEVEL	FUNCTION
1	VSS	—	GROUND
2	VDD	—	POWER SUPPLY FOR LOGIC CIRCUIT
3	VO	—	OPERATING VOLTAGE FOR LCD DRIVING
4	D/I	H/L	H: DATA INPUT L: INSTRUCTION CODE INPUT
5	R/ \overline{W}	H/L	H: DATA READ (LCD MODULE →MPU) L : DATA WRITE (LCD MODULE ←MPU)
6	E	H,H→L	ENABLE SIGNAL
7 14	DB0 DB7	H/L	DATA BUS LINE
15	CS1	H	CHIP SELECTION FOR IC1
16	CS2	H	CHIP SELECTION FOR IC2
17	\overline{RST}	L	RESET
18	VOUT	—	POWER SUPPLY FOR LCD DRIVING
19	VLED	—	POWER SUPPLY FOR LED (A)
20	VLSS	—	POWER SUPPLY FOR LED (K)

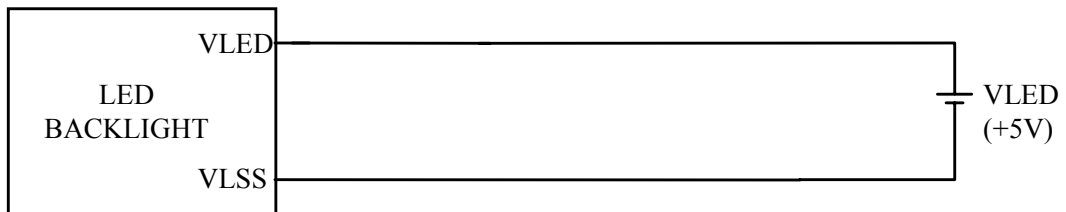
1 1 . POWER SUPPLY

1 1 . 1 POWER SUPPLY FOR LCM



VDD - VO : LCD DRIVING VOLTAGE
VR : 10K ~ 20K Ω

1 1 . 2 POWER SUPPLY FOR LED BACK - LIGHT



1 1 . 3 TIMING OF POWER SUPPLY AND INTERFACE SIGNAL

