

EXAMINED BY :	EMERGING DISPLAY TECHNOLOGIES CORPORATION	FILE NO . CAS-10015
<i>Jony Chen</i>		ISSUE : NOV.09,1999
APPROVED BY:		TOTAL PAGE : 7
<i>David Chang</i>		VERSION : 2

CUSTOMER ACCEPTANCE SPECIFICATIONS

MODEL NO. :

162B0(REFLECTIVE TYPES)

FOR MESSRS :

CUSTOMER'S APPROVAL

DATE :

BY :

EMERGING DISPLAY
TECHNOLOGIES CORPORATION

MODEL NO . 162B0(REFLECTIVE TYPES)	VERSION 2
---------------------------------------	--------------

RECORDS OF REVISION	DOC . FIRST ISSUE OCT.24,1997
---------------------	----------------------------------

DATE	REVISED PAGE NO.	SUMMARY
------	------------------	---------

NOV.09,1999	1~3 , 6 , 7	THE ENTIRE PAGES REVISED
-------------	-------------	--------------------------

--	--	--

NUMBERING SYSTEM

Polarizer Mode	Backlight	Code value
Reflective	—	R

Module type : D : TN Character Modules
W : Wide Temp. Modules

E W 16 2 B0 G R *

LCD type + LCD color	Code Value
TN + Gray	T
STN + Yellow-Green	Y
STN + Gray	G
STN + Blue	B

Viewing direction
NIL : 6 o'clock
U : 12 o'clock

* : AVAILABLE ONLY FOR TN TYPE

TABLE OF CONTENTS

NO.	ITEM	PAGE
1.	GENERAL SPECIFICATIONS -----	1
2.	MECHANICAL SPECIFICATIONS -----	1
3.	ABSOLUTE MAXIMUM RATINGS -----	2
4.	ELECTRICAL CHARACTERISTICS -----	3
5.	OPTICAL CHARACTERISTICS -----	3
6.	OUTLINE DIMENSION -----	4
7.	DETAIL DRAWING OF DOT MATRIX -----	5
8.	BLOCK DIAGRAM -----	5
9.	INTERFACE SIGNALS -----	6
10.	POWER SUPPLY -----	7
11.	DISPLAY DATA RAM ADDRESS -----	7

1. GENERAL SPECIFICATIONS

1.1 GENERAL SPECIFICATIONS
PLEASE REFER TO :

CUSTOMER ACCEPTANCE STANDARD SPECIFICATIONS :

E U - 0 0 2 A

1.2 APPLICATION NOTES FOR CONTROLLER / DRIVER :
PLEASE REFER TO :

CUSTOMER ACCEPTANCE STANDARD SPECIFICATIONS :

E U - K S 0 0 6 6

1.3 THIS INDIVIDUAL SPECIFICATIONS IS PRIOR TO GENERAL
SPECIFICATIONS .

2. MECHANICAL SPECIFICATIONS

- (1) NUMBER OF CHARACTER ----- 16 CH * 2 LINES
- (2) MODULE SIZE ----- 84.0W * 44.0H * 10.0D (max.) mm
- (3) EFFECTIVE AREA ----- 63.5W * 15.8H mm
- (4) CHARACTER FONT ----- 5 * 7 DOTS + CURSOR
- (5) CHARACTER SIZE ----- 2.96W * 5.56H mm
- (6) CHARACTER PITCH ----- 3.55W * 5.94H mm
- (7) DOT SIZE ----- 0.56W * 0.66H mm
- (8) DOT PITCH ----- 0.60W * 0.70H mm
- (9) LCD TYPE*
- (10) DRIVING METHOD ----- 1/16 DUTY MULTIPLEX DRIVE
- (11) VIEWING DIRECTION *

* PLEASE REFER TO NUMBERING SYSTEM .

3. ABSOLUTE MAXIMUM RATINGS

3.1 ELECTRICAL ABSOLUTE MAXIMUM RATINGS . (AT Ta = 25 °C)

PARAMETER	SYMBOL	MIN .	MAX .	UNIT	REMARK
POWER SUPPLY FOR LOGIC	VDD – VSS	0	7.0	V	
POWER SUPPLY FOR LCD DRIVE	VDD – VO	0	13.0	V	
INPUT VOLTAGE	VI	VSS	VDD	V	
STATIC ELECTRICITY	—	—	100	V	NOTE (1)

NOTE (1) : TEST METHOD AND CONDITIONS :
AFTER CHARGING UP 200 PF CAPACITOR BY STATED VOLTAGE ,
THE CAPACITOR IS CONNECTED WITH INTERFACE PINS OF THE
MODULE .

3.2 ENVIRONMENTAL ABSOLUTE MAXIMUM RATINGS .

I T E M		OPERATING		STORAGE		REMARK
		MIN .	MAX .	MIN .	MAX .	
AMBIENT TEMPERATURE	ED	0 °C	50 °C	-20 °C	70 °C	NOTE (2) , (3)
	EW	-20 °C	70 °C	-30 °C	80 °C	
HUMIDITY		—	90 % RH	—	90 % RH	WITHOUT CONDENSATION
VIBRATION		—	4.9 m/s ² (0.5 G)	—	19.6 m/s ² (2 G)	
SHOCK		—	29.4 m/s ² (3 G)	—	490.0 m/s ² (50 G)	XYZ DIRECTIONS
CORROSIVE GAS		NOT ACCEPTABLE		NOT ACCEPTABLE		

NOTE (2) : Ta AT -20°C (-30°C FOR EW) : 48HR MAX .
70°C (80°C FOR EW) : 168HR MAX .

NOTE (3) : BACKGROUND COLOR CHANGES SLIGHTLY DEPENDING ON AMBIENT TEMPERATURE THIS PHENOMENON IS REVERSIBLE .

4. ELECTRICAL CHARACTERISTICS

PARAMETER	SYMBOL	Ta = 25°C		VDD = 5.0 ± 0.25 V			
		CONDITION	MIN .	TYP .	MAX .	UNIT	
H LEVEL INPUT VOLTAGE	VIH	_____	2.2	—	—	V	
L LEVEL INPUT VOLTAGE	VIL	_____	—	—	0.6	V	
H LEVEL OUTPUT VOLTAGE	VOH	-IOH = 0.2 mA	2.4	—	—	V	
L LEVEL OUTPUT VOLTAGE	VOL	IOL = 1.2 mA	—	—	0.4	V	
POWER SUPPLY CURRENT (LOGIC)	IDD	VDD = 5.0 V	—	1.0	3.0	mA	
RECOMMENDED LCD DRIVING VOLTAGE	VDD - VO ∅ = 25°, θ = ** DUTY= 1/16	ED	Ta = 0 °C	—	4.2	—	V
			Ta = 25 °C	—	3.8	—	V
			Ta = 50 °C	—	3.4	—	V
	VDD - VO ∅ = 10°, θ = 0° DUTY= 1/16	EW	Ta = -20 °C	—	4.4	—	V
			Ta = 25 °C	—	4.4	—	V
			Ta = 70 °C	—	4.4	—	V
CLOCK OSCILLATION FREQUENCY	FOSC	Ta = 25 °C	—	270	—	KHZ	

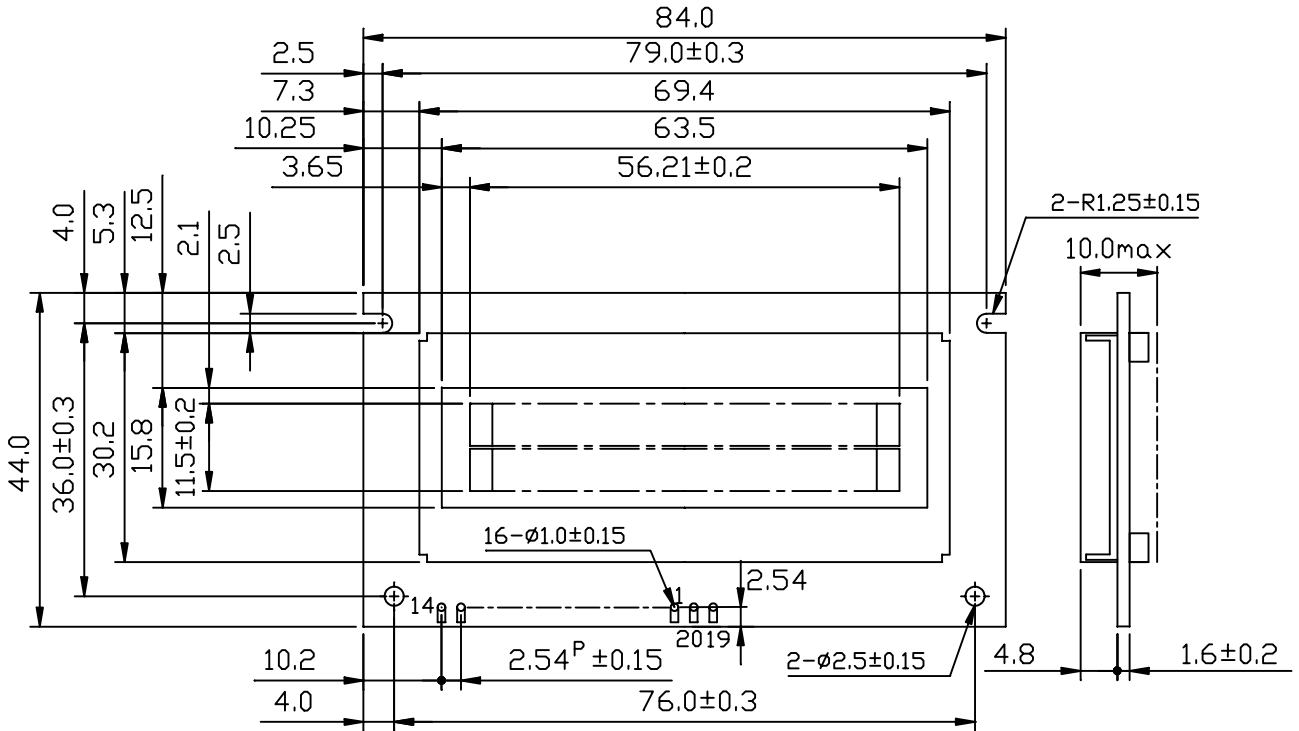
5. OPTICAL CHARACTERISTICS .

I T E M		SYMBOL	CONDITION	Ta = 25 °C			UNIT	NOTE	
				MIN .	TYP .	MAX .			
VIEWING AREA	ED	∅ 2 - ∅ 1	K ≥ 1.4	20	—	—	deg.	1	
	EW			30	—	—	deg.	1	
CONTRAST RATIO	ED	K	∅ = 25°, θ = **	—	3	—	—	1	
	EW		∅ = 10°, θ = 0°	5	—	—	—	1	
RESPONSE TIME	ED	tr (rise)	∅ = 25° θ = **	Ta = 25°C	—	150	250	ms	1
				Ta = 25°C	—	100	150		
	EW	tr (rise)	∅ = 10° θ = 0°	Ta = -20°C	—	5538	—		
				Ta = 25°C	—	228	—		
				Ta = 70°C	—	104	—		
		tf (fall)		Ta = -20°C	—	2316	—		
				Ta = 25°C	—	174	—		
				Ta = 70°C	—	85	—		

** θ = 0° WHEN VIEWING DIRECTION IS 6 O'CLOCK
θ = 180° WHEN VIEWING DIRECTION IS 12 O'CLOCK

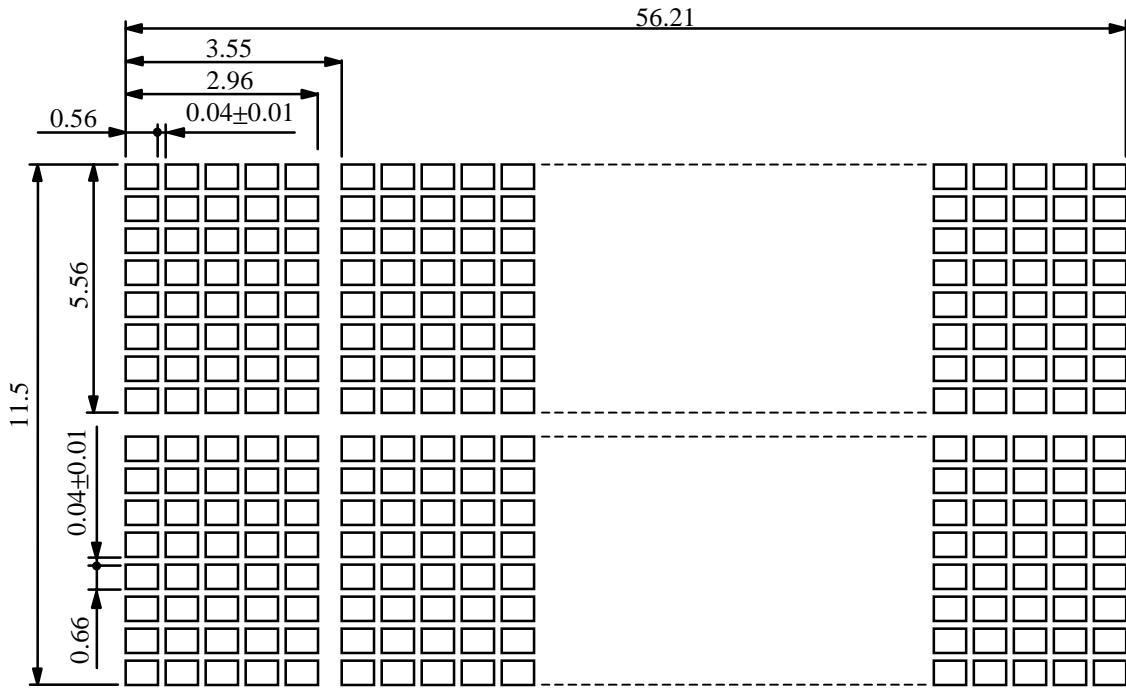
NOTE (1) : PLEASE REFER TO :
CUSTOMER ACCEPTANCE STANDARD SPECIFICATION .
EU - 002A

6. OUTLINE DIMENSION



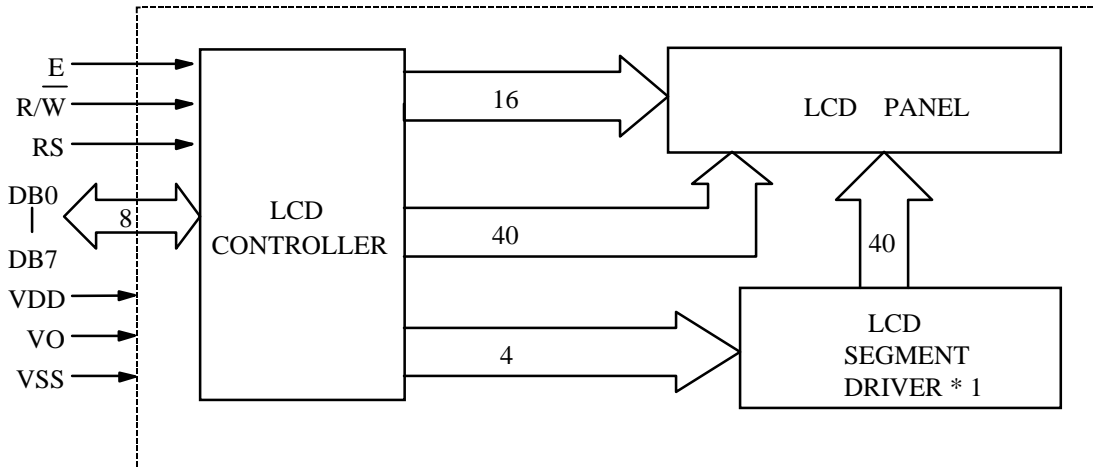
UNIT : mm
SCALE : NTS
NOT SPECIFIE TOLERANCE IS ±0.5mm

7. DETAIL DRAWING OF DOT MATRIX



UNIT : mm
SCALE : NTS
NOT SPECIFIED TOLERANCE IS ± 0.1

8. BLOCK DIAGRAM

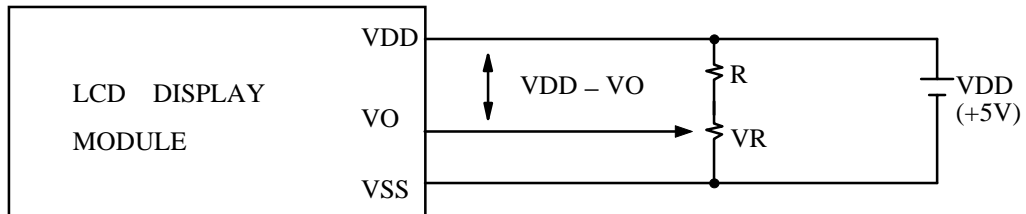


9. INTERFACE SIGNALS

PIN NO.	SYMBOL	DESCRIPTION	FUNCTION
1	VSS	GROUND	0V (GND)
2	VDD	POWER SUPPLY FOR LOGIC CIRCUIT	+5V
3	VO	LCD CONTRAST ADJUSTMENT	
4	RS	INSTRUCTION/DATA REGISTER SELECTION	RS = 0 : INSTRUCTION REGISTER RS = 1: DATA REGISTER
5	R/\bar{W}	READ/WRITE SELECTION	R/\bar{W} = 0 : REGISTER WRITE R/\bar{W} = 1 : REGISTER READ
6	E	ENABLE INPUT	
7 14	DB0 DB7	DATA INPUT/OUTPUT LINES	4 BIT/ 8 BIT SELECTABLE 4 BIT:DB4-DB7 8 BIT:DB0-DB7

10. POWER SUPPLY

10.1 POWER SUPPLY FOR LCD MODULE



VDD - VO : LCD DRIVING VOLTAGE

VR: 10K Ω ~ 20K Ω

RECOMMENDED RESISTOR R : $VDD - VO \geq 1.5 V$

11. DISPLAY DATA RAM ADDRESS

CHARACTER	1	2	3	4	5	6	7	8	9	10	11	12	13	14	15	16
LINE 1	80	81	82	83	84	85	86	87	88	89	8A	8B	8C	8D	8E	8F
LINE 2	C0	C1	C2	C3	C4	C5	C6	C7	C8	C9	CA	CB	CC	CD	CE	CF