

EXAMINED BY :	EMERGING DISPLAY  TECHNOLOGIES CORPORATION	FILE NO . CAS-10069
Kevin Kuo		ISSUE : JUN.20,2002
APPROVED BY:		TOTAL PAGE : 10
<i>Roger Yang</i>		VERSION : 4

CUSTOMER	ACCEPTANCE	SPECIFICATIONS
----------	------------	----------------

MODEL NO. :

32F10(CCFL TYPES)

FOR MESSRS :

\_\_\_\_\_

CUSTOMER'S APPROVAL

DATE :

\_\_\_\_\_

BY :

\_\_\_\_\_

**EMERGING DISPLAY  
TECHNOLOGIES CORPORATION**

MODEL NO . <b>32F10(CCFL TYPES)</b>	VERSION <b>4</b>
--	---------------------

<b>RECORDS OF REVISION</b>	DOC . FIRST ISSUE  <b>FEB.17,1998</b>
----------------------------	---

DATE	REVISED PAGE NO.	SUMMARY
NOV.17,1999	1~3,6	THE ENTIRE PAGES REVISED
JUN.04,2002	3	4. ELECTRICAL CHARACTERISTICS POWER SUPPLY FOR CCFL LIFE TIME : TYP. 20000→50000
JUN.20,2002	3	4. ELECTRICAL CHARACTERISTICS CCFL LIFE TIME : MIN. = 15000 → 25000 , TYP. = 5000 → 50000

NUMBERING SYSTEM

Polarizer Mode	Backlight	Code value
Transflective	CCFL	D
Transmissive	CCFL	C

Backlight Color	Code Value
White	W

E W 3 2 F 1 0 B C W U

Viewing direction
NIL : 6 o'clock
U : 12 o'clock

LCD type + LCD color	Code Value
STN + Gray	G
STN + Blue	B
FSTN + White	F
FSTN + Black	N

TABLE OF CONTENTS

NO.	ITEM	PAGE
1.	GENERAL SPECIFICATIONS -----	1
2.	MECHANICAL SPECIFICATIONS -----	1
3.	ABSOLUTE MAXIMUM RATINGS -----	2
4.	ELECTRICAL CHARACTERISTICS -----	3
5.	TIMING CHARACTERISTICS -----	4, 5
6.	OPTICAL CHARACTERISTICS -----	6
7.	OUTLINE DIMENSION -----	7
8.	BLOCK DIAGRAM -----	8
9.	DETAIL DRAWING OF DOT MATRIX -----	9
10.	INTERFACE SIGNALS -----	9
11.	POWER SUPPLY -----	10

1. GENERAL SPECIFICATIONS

1.1 GENERAL SPECIFICATIONS  
PLEASE REFER TO :

CUSTOMER ACCEPTANCE STANDARD SPECIFICATIONS :

E U - 0 0 2 A

1.2 THIS INDIVIDUAL SPECIFICATION IS PRIOR TO GENERAL  
SPECIFICATIONS .

2. MECHANICAL SPECIFICATIONS

- (1) NUMBER OF DOTS ----- 320W \* 240H DOTS
- (2) MODULE SIZE ----- 167.1W \* 109.0H \* 11.0D(max.) mm
- (3) EFFECTIVE AREA ----- 120.0W \* 90.0H mm
- (4) ACTIVE AREA ----- 115.17W \* 86.37H mm
- (5) DOT SIZE ----- 0.33W \* 0.33H mm
- (6) DOT PITCH ----- 0.36W \* 0.36H mm
- (7) LCD TYPE \*
- (8) DRIVING METHOD ----- 1 / 240 DUTY MULTIPLEX DRIVE
- (9) VIEWING DIRECTION \*
- (10) BACKLIGHT ----- CCFL

\* PLEASE REFER TO NUMBERING SYSTEM .

### 3. ABSOLUTE MAXIMUM RATINGS

#### 3.1 ELECTRICAL ABSOLUTE MAXIMUM RATINGS .

PARAMETER	SYMBOL	MIN .	MAX .	UNIT	REMARK
POWER SUPPLY FOR LOGIC	VDD – VSS	0	6.0	V	
POWER SUPPLY FOR LCD DRIVING	VDD – VEE	0	27.0	V	
INPUT VOLTAGE	VI	VSS	VDD	V	
STATIC ELECTRICITY	—	—	100	V	NOTE (1)

NOTE (1) : TEST METHOD AND CONDITIONS :  
AFTER CHARGING UP 200 PF CAPACITOR BY STATED VOLTAGE ,  
THE CAPACITOR IS CONNECTED WITH INTERFACE PINS OF THE  
MODULE .

#### 3.2 ENVIRONMENTAL ABSOLUTE MAXIMUM RATINGS .

I T E M	OPERATING		STORAGE		REMARK
	MIN .	MAX .	MIN .	MAX .	
AMBIENT TEMPERATURE	-10 °C	60 °C	-20 °C	70 °C	NOTE (2),(3),(4)
HUMIDITY	—	85 % RH	—	85 % RH	WITHOUT CONDENSATION
VIBRATION	—	2.45 m/s <sup>2</sup> (0.25 G)	—	11.76 m/s <sup>2</sup> (1.2 G)	10~100 HZ XYZ DIRECTIONS 1 Hr . EACH
SHOCK	—	29.4 m/s <sup>2</sup> (3 G)	—	490.0 m/s <sup>2</sup> (50 G)	10 mSECONDS XYZ DIRECTIONS 1 TIME EACH
CORROSIVE GAS	NOT ACCEPTABLE		NOT ACCEPTABLE		

NOTE (2) : Ta AT -20 °C : 48HR MAX .  
70 °C : 168HR MAX .

NOTE (3) : BACKGROUND COLOR CHANGES SLIGHTLY DEPENDING ON AMBIENT  
TEMPERATURE THIS PHENOMENON IS REVERSIBLE .

NOTE (4) : CCFL BACKLIGHT IS NOT AVAILABLE TO FUNCTION BELOW 0 °C

4. ELECTRICAL CHARACTERISTICS

PARAMETER		SYMBOL	CONDITION	MIN.	TYP.	MAX.	UNIT
POWER SUPPLY VOLTAGE FOR LOGIC		VDD - VSS	—	4.75	5.0	5.25	V
POWER SUPPLY VOLTAGE FOR LCD DRIVE		VEE - VSS	—	-21.5	-22.0	-22.5	V
INPUT VOLTAGE NOTE (1)	VIH	H LEVEL	0.8*VDD	—	—	—	V
	VIL	L LEVEL	—	—	0.2*VDD	—	V
OUTPUT VOLTAGE NOTE (1)	VOH	H LEVEL	2.4	—	—	—	V
	VOL	L LEVEL	—	—	VSS+0.4	—	V
POWER SUPPLY CURRENT FOR LOGIC NOTE (2)		IDD	VDD - VSS = 5.0 V VDD - VEE = 22.0 V	—	3.0	—	mA
POWER SUPPLY CURRENT FOR LCD DRIVE NOTE (2)		IEE	VDD - VSS = 5.0 V VDD - VEE = 22.0 V	—	2.8	—	mA
RECOMMENDED LCD DRIVING VOLTAGE NOTE (3)	VDD - V0 $\varnothing = 10^\circ, \theta = **$ DUTY = 1/240	Ta = -10 °C	—	25.1	—	—	V
		Ta = 25 °C	—	23	—	—	V
		Ta = 60 °C	—	21.3	—	—	V
CLOCK OSCILLATION FREQUENCY		f FLM	—	70	75	80	HZ
POWER SUPPLY FOR CCFL	VOLTAGE	VCCFL	—	—	300	—	Vrms
	FREQUENCY	f CCFL	—	—	30K	—	HZ
	CURRENT	IL	—	—	5	—	mA
	LIFE TIME	L	IL = 5.0mA	25000	50000	—	Hrs

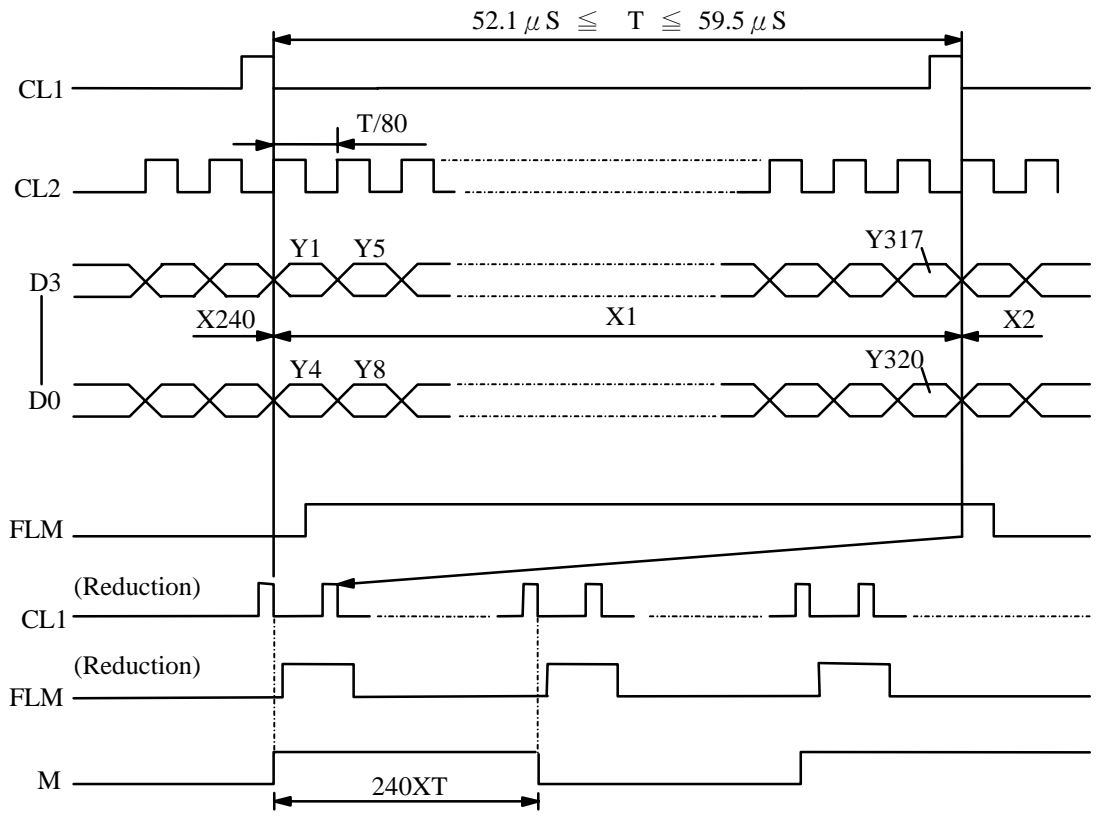
\*\*  $\theta = 0^\circ$  WHEN VIEWING DIRECTION IS 6 O'CLOCK.  
 $\theta = 180^\circ$  WHEN VIEWING DIRECTION IS 12 O'CLOCK.

NOTE (1): APPLIED TO TERMINALS M, FLM, CL1, CL2, D0~D3, DISPOFF.

NOTE (2): THE DISPLAY PATTERN IS ALL "OFF"/ "ON".

NOTE (3): RECOMMENDED LCD DRIVING VOLTAGE MAY FLUCTUATE ABOUT  $\pm 1.0V$  BY EACH MODULE.

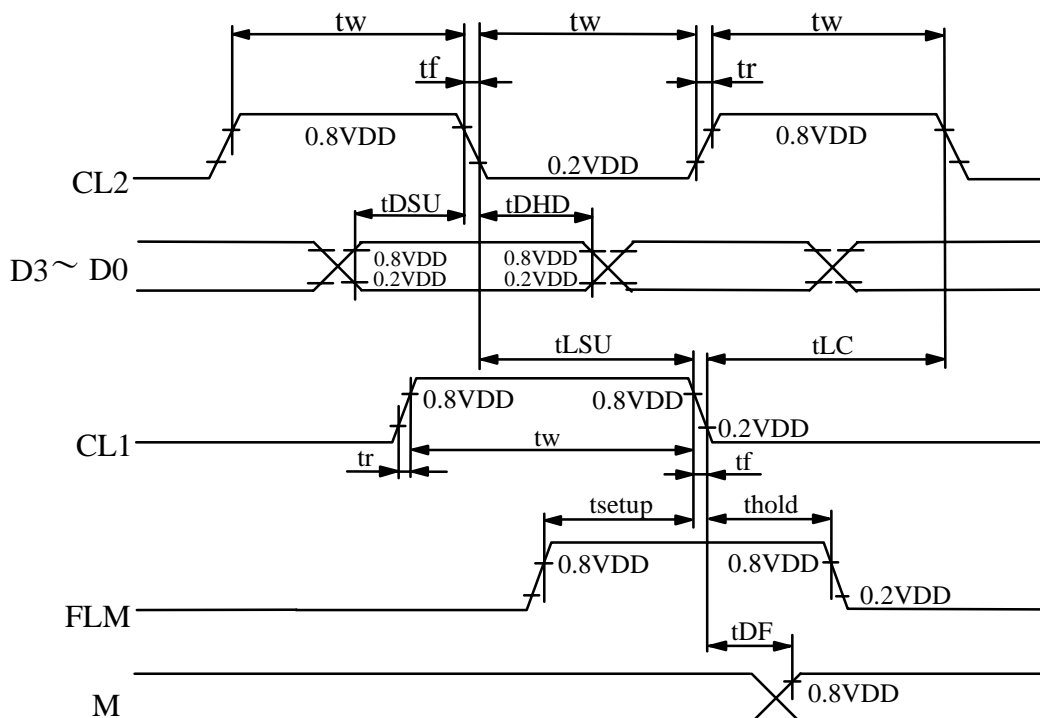
5. TIMING CHARACTERISTICS  
5.1 INTERFACE TIMING





5.2 SWITCHING CHARACTERISTICS

PARAMETER	SYMBOL	MIN.	TYP.	MAX.	UNIT
Frequency of maximum clock	fcp	—	—	8	MHZ
CL1 , CL2 , pulse width	tw	45	—	—	ns
Rise , fall time	tr,tf	—	—	15	ns
Data setup time	tDSU	20	—	—	ns
Data hold time	tDHD	20	—	—	ns
CL1 setup time	tLSU	80	—	—	ns
CL1 → CL2 time	tLC	80	—	—	ns
FLM setup time	tsetup	100	—	—	ns
FLM hold time	thold	100	—	—	ns
M delay time	tDF	—	—	300	ns



6. OPTICAL CHARACTERISTICS

Ta = 25 °C

VDD = 5.0 V

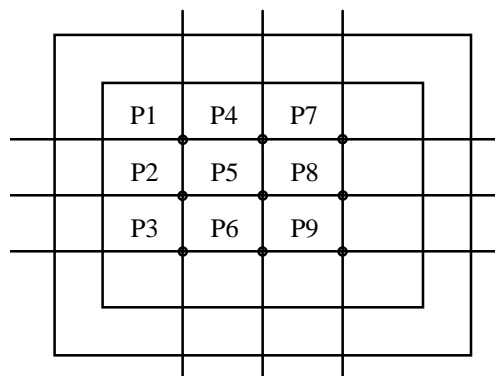
I T E M		SYMBOL	CONDITION	MIN .	TYP .	MAX.	UNIT	NOTE
VIEWING AREA	STN	∅2 - ∅1	K ≥ 2.0	—	40	—	deg.	1
	FSTN			—	50	—	deg.	1
CONTRAST RATIO	STN	K	∅ = 10° θ = **	—	10	—	—	1
	FSTN			—	20	—	—	1
RESPONSE TIME	tr ( rise )	∅=10° θ = **	Ta = -10 °C	—	2149	—	ms	1
			Ta = 25 °C	—	228	—		
			Ta = 60 °C	—	124	—		
	tf ( fall )		Ta = -10 °C	—	1709	—		
			Ta = 25 °C	—	191	—		
			Ta = 60 °C	—	96	—		
BRIGHTNESS OF BACKLIGHT		B	—	300	—	—	cd / m <sup>2</sup>	2
RISE TIME OF BACKLIGHT		TC	—	—	5	—	MINUTE	
BRIGHTNESS UNIFORMITY		—	—	—	—	20	%	3, 4

\*\* θ = 0° WHEN VIEWING DIRECTION IS 6 O'CLOCK .  
θ = 180° WHEN VIEWING DIRECTION IS 12 O'CLOCK .

NOTE (1) : PLEASE REFER TO :  
CUSTOMER ACCEPTANCE STANDARD SPECIFICATIONS. (EU - 001A)

NOTE (2) : POLARIZER MODE : TRANSMISSIVE

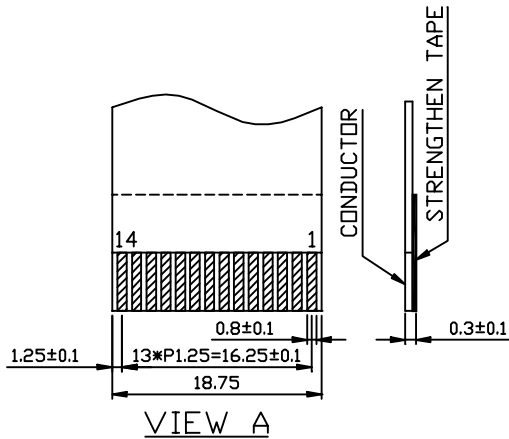
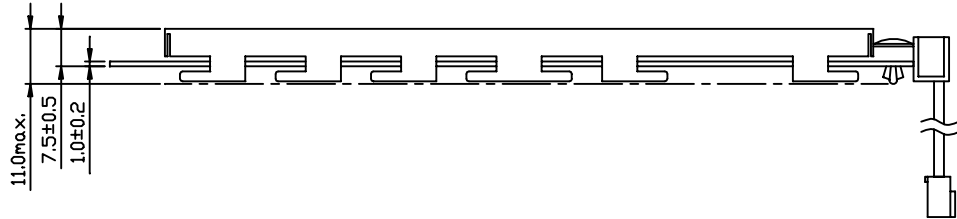
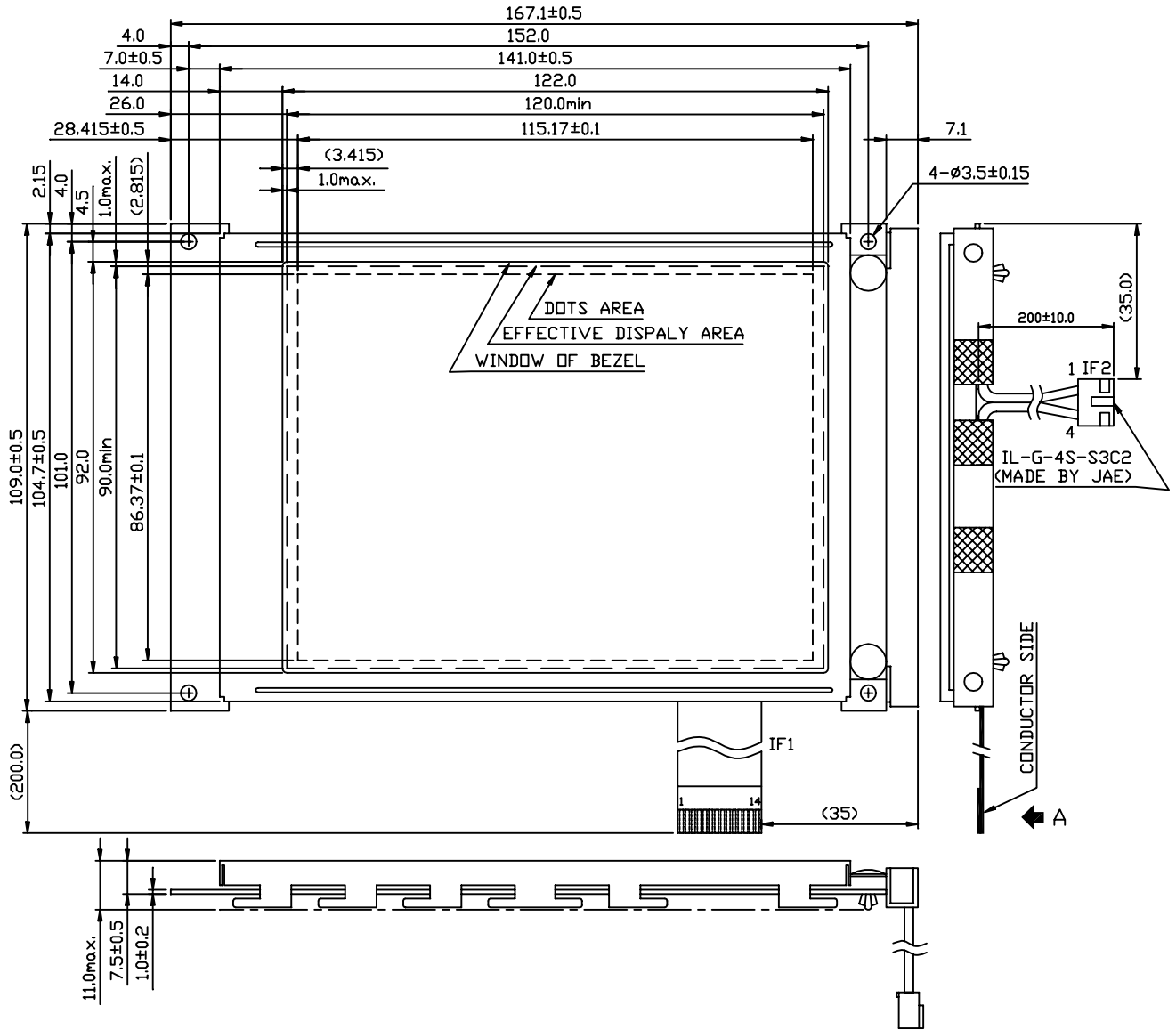
NOTE (3) : MEASUREMENT OF THE FOLLOWING 9 PLACES ON THE DISPLAY.  
DEFINITION OF THE BRIGHTNESS TOLERANCE .



NOTE (4) : BRIGHTNESS UNIFORMITY IS DEFINED AS FOLLOWING

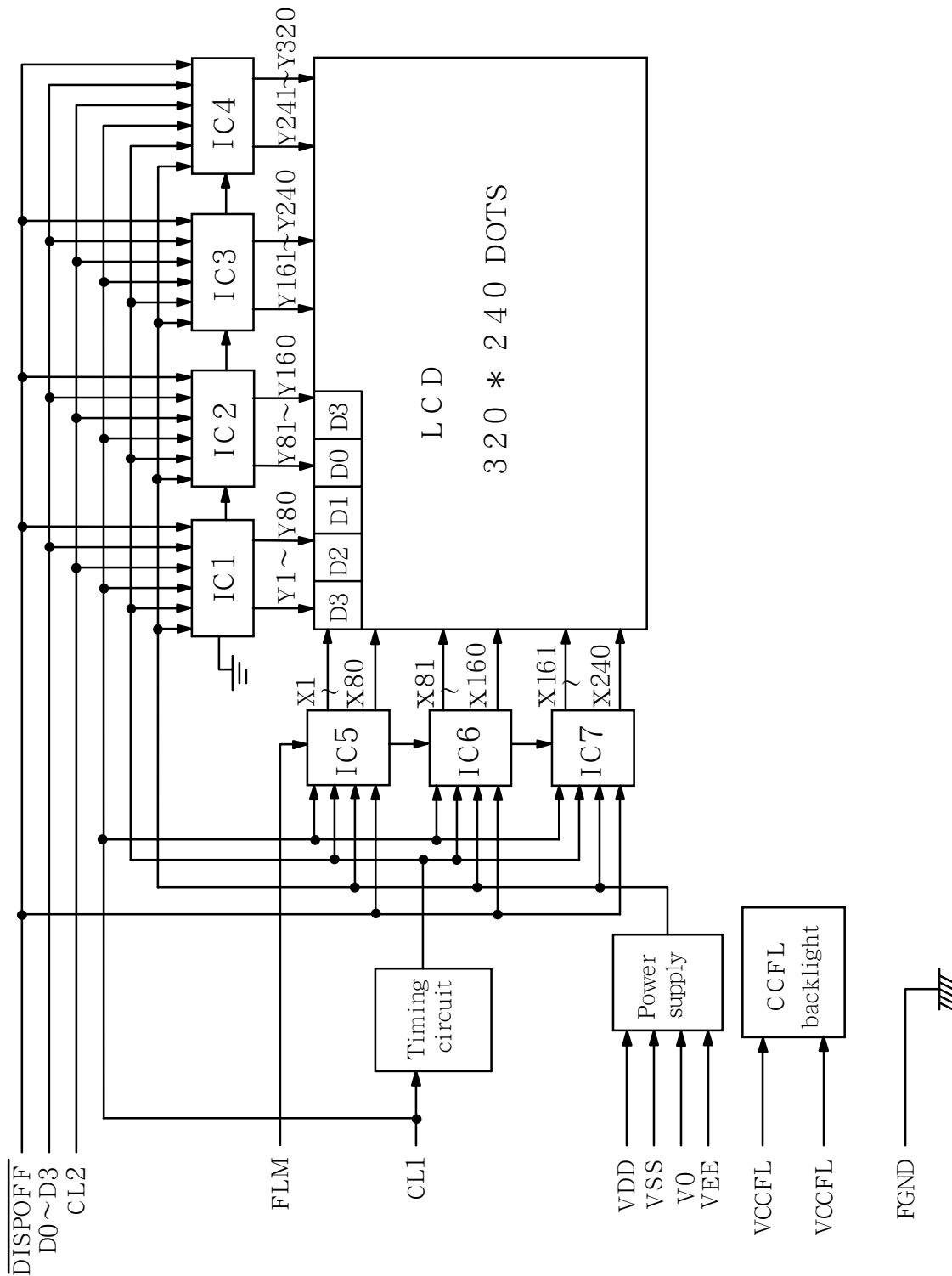
$$\sum X = \left[ \frac{(\text{MAXIMUN BRIGHTNESS OR MINIMUN BRIGHTESS}) - \text{AVERAGE BRIGHTNESS}}{\text{AVERAGE BRIGHTNESS}} \right] \times 100\%$$

7. OUTLINE DIMENSION

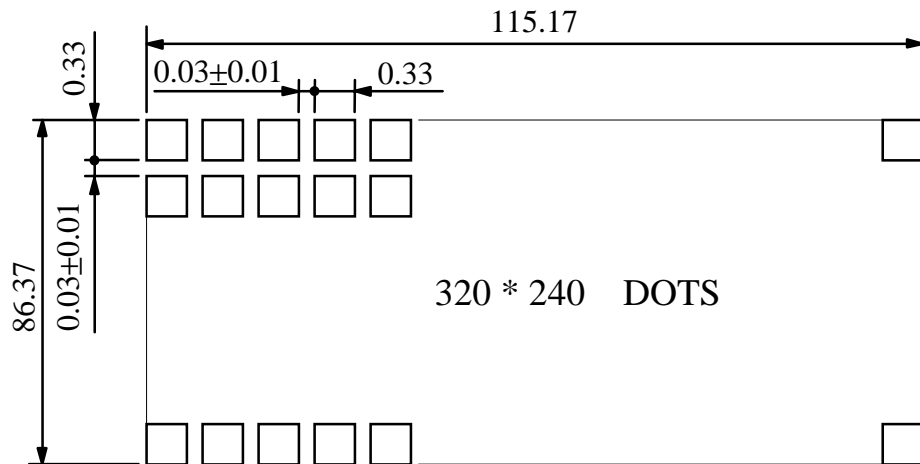


UNIT : mm  
SCALE : NTS  
NOT SPECIFIED TOLERANCE IS ± 0.5

8. BLOCK DIAGRAM



9. DETAIL DRAWING OF DOT MATRIX



UNIT : mm  
SCALE : NTS  
NOT SPECIFIED TOLERANCE IS  $\pm 0.1$

10. INTERFACE SIGNALS

IF1 :

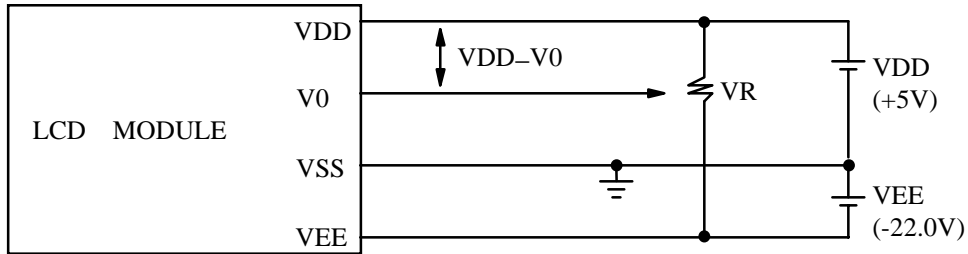
PIN NO	SYMBOL	LEVEL	FUNCTION
1	D0	H / L	DISPLAY DATA
2	D1	H / L	
3	D2	H / L	
4	D3	H / L	
5	$\overline{\text{DISPOFF}}$	H / L	H : DISPLAY ON , L : DISPLAY OFF
6	FLM	H	THE FLM SIGNAL INDICATING THE BEGINNING OF EACH DISPLAY CYCLE
7	NC	—	NO CONNECTION
8	CL1	H → L	DISPLAY DATA LATCH
9	CL2	H → L	DISPLAY DATA SHIFT
10	VDD	—	POWER SUPPLY FOR LOGIC CIRCUIT
11	VSS	—	GROUND
12	VEE	—	POWER SUPPLY FOR LCD DRIVING
13	VO	—	OPERATING VOLTAGE FOR LCD DRIVING
14	FGND	—	FRONT PANEL GROUND

IF2 :

INTERFACE	PIN	SINGAL	VEVEL	FUNCTION
CCFL	1	VCCFL	—	POWER SUPPLY FOR CCFL DRIVING
	2~3	NC	—	NO CONNECTION
	4	VCCFL	—	POWER SUPPLY FOR CCFL DRIVING

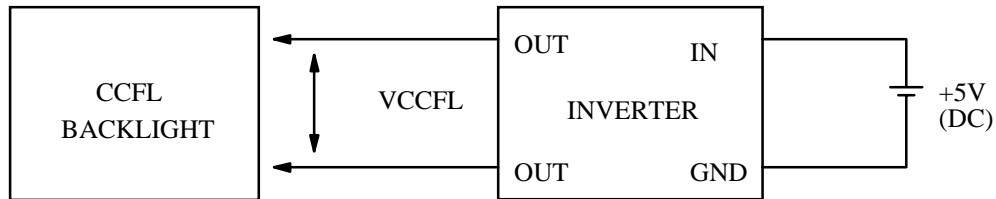
1 1 . POWER SUPPLY

1 1 . 1 POWER SUPPLY FOR LCM



VDD - V0 : LCD DRIVING VOLTAGE  
VR : 20KΩ

1 1 . 2 POWER SUPPLY FOR CCFL BACK - LIGHT



RECOMMENDED INVERTER : IA-EM02A1

1 1 . 3 TIMING OF POWER SUPPLY AND INTERFACE SIGNAL

