

EXAMINED BY :  <i>Eric Le</i>	EMERGING DISPLAY  TECHNOLOGIES CORPORATION	FILE NO . CAS-10242
APPROVED BY:  <i>David Chang</i>		ISSUE : JUL.06,2001
		TOTAL PAGE : 7
		VERSION : 2

CUSTOMER                      ACCEPTANCE                      SPECIFICATIONS

MODEL NO. :

40420(REFLECTIVE TYPES)

FOR MESSRS :

\_\_\_\_\_

CUSTOMER'S APPROVAL

DATE :  
\_\_\_\_\_

BY :  
\_\_\_\_\_

EMERGING DISPLAY  
TECHNOLOGIES CORPORATION

MODEL NO .	VERSION
40420(REFLECTIVE TYPES)	2

RECORDS OF REVISION	DOC . FIRST ISSUE	APR.11,2001
---------------------	-------------------	-------------

DATE	REVISED PAGE NO.	SUMMARY
JUL.06,2001	1	2 . MECHANICAL SPECIFICATIONS ( 6 ) CHARACTER PITCH : 5.49 mm → 6.09 mm
	4	6 . OUTLINE DIMENSION 21.36 ± 0.2 → 21.16 ± 0.2
	5	7 . DETAIL DRAWING OF DOT MATRIX 5.49 → 6.09 , 21.36 → 23.16

NUMBERING SYSTEM

Polarizer Mode	Backlight	Code value
Reflective	—	R

E W 4 0 4 2 0 G R

LCD type + color	Code Value
STN + Yellow-Green	Y
STN + Gray	G
FSTN+White	F

TABLE OF CONTENTS

NO.	ITEM	PAGE
1.	GENERAL SPECIFICATIONS -----	1
2.	MECHANICAL SPECIFICATIONS -----	1
3.	ABSOLUTE MAXIMUM RATINGS -----	2
4.	ELECTRICAL CHARACTERISTICS -----	3
5.	OPTICAL CHARACTERISTICS -----	3
6.	OUTLINE DIMENSION -----	4
7.	DETAIL DRAWING OF DOT MATRIX -----	5
8.	BLOCK DIAGRAM -----	5
9.	INTERFACE SIGNALS -----	6
10.	POWER SUPPLY -----	7
11.	DISPLAY DATA RAM ADDRESS -----	7

1. GENERAL SPECIFICATIONS

1.1 GENERAL SPECIFICATIONS  
PLEASE REFER TO :

CUSTOMER ACCEPTANCE STANDARD SPECIFICATIONS :

EU - 002A

1.2 APPLICATION NOTES FOR CONTROLLER / DRIVER : KS0066  
PLEASE REFER TO :

CUSTOMER ACCEPTANCE STANDARD SPECIFICATIONS :

EU - KS0066

1.3 THIS INDIVIDUAL SPECIFICATIONS IS PRIOR TO GENERAL  
SPECIFICATIONS .

2. MECHANICAL SPECIFICATIONS

- (1) NUMBER OF CHARACTER ----- 40 CH \* 4 LINES
- (2) MODULE SIZE ----- 190.0W \* 54.0H \* 10.0D (max.) mm
- (3) EFFECTIVE AREA ----- 149.0W \* 31.0H mm
- (4) CHARACTER FONT ----- 5 \* 7 DOTS + CURSOR
- (5) CHARACTER SIZE ----- 2.78W \* 4.89H mm
- (6) CHARACTER PITCH ----- 3.53W \* 6.09H mm
- (7) DOT SIZE ----- 0.50W \* 0.55H mm
- (8) DOT PITCH ----- 0.57W \* 0.62H mm
- (9) LCD TYPE \*
- (10) DRIVING METHOD ----- 1 / 16 DUTY MULTIPLEX DRIVE

\* PLEASE REFER TO NUMBERING SYSTEM

### 3. ABSOLUTE MAXIMUM RATINGS

#### 3.1 ELECTRICAL ABSOLUTE MAXIMUM RATINGS . ( AT Ta = 25 °C )

PARAMETER	SYMBOL	MIN .	MAX .	UNIT	REMARK
POWER SUPPLY FOR LOGIC	VDD – VSS	0	7.0	V	
POWER SUPPLY FOR LCD DRIVE	VDD – VO	0	13.0	V	
INPUT VOLTAGE	VI	VSS	VDD	V	
STATIC ELECTRICITY	—	—	100	V	NOTE (1)

NOTE (1) : TEST METHOD AND CONDITIONS :  
AFTER CHARGING UP 200 PF CAPACITOR BY STATED VOLTAGE ,  
THE CAPACITOR IS CONNECTED WITH INTERFACE PINS OF THE  
MODULE .

#### 3.2 ENVIRONMENTAL ABSOLUTE MAXIMUM RATINGS .

I T E M	OPERATING		STORAGE		REMARK
	MIN .	MAX .	MIN .	MAX .	
AMBIENT TEMPERATURE	- 20 °C	70 °C	- 30 °C	80 °C	NOTE (2), (3)
HUMIDITY	—	90 % RH	—	90 % RH	WITHOUT CONDENSATION
VIBRATION	—	4.9 m/s <sup>2</sup> (0.5 G)	—	19.6 m/s <sup>2</sup> (2 G)	
SHOCK	—	29.4 m/s <sup>2</sup> (3 G)	—	490.0 m/s <sup>2</sup> (50 G)	XYZ DIRECTIONS
CORROSIVE GAS	NOT ACCEPTABLE		NOT ACCEPTABLE		

NOTE (2) : Ta AT -30°C : 48HR MAX .  
80°C : 168HR MAX .

NOTE (3) : BACKGROUND COLOR CHANGES SLIGHTLY DEPENDING ON AMBIENT  
TEMPERATURE THIS PHENOMENON IS REVERSIBLE .

#### 4. ELECTRICAL CHARACTERISTICS

Ta = 25 °C

VDD = 5.0 ±0.25 V

PARAMETER	SYMBOL	CONDITION	MIN .	TYP .	MAX .	UNIT
H LEVEL INPUT VOLTAGE	VIH	—	2.2	—	—	V
L LEVEL INPUT VOLTAGE	VIL	—	—	—	0.6	V
H LEVEL OUTPUT VOLTAGE	VOH	-IOH = 0.2 mA	2.4	—	—	V
L LEVEL OUTPUT VOLTAGE	VOL	IOL = 1.2 mA	—	—	0.4	V
POWER SUPPLY CURRENT (LOGIC)	IDD	VDD = 5.0 V	—	4.0	10.0	mA
RECOMMENDED LCD DRIVING VOLTAGE	VDD - VO ∅ = 10°, θ = 0° DUTY= 1/16	Ta = -20 °C	—	4.4	—	V
		Ta = 25 °C	—	4.4	—	V
		Ta = 70 °C	—	4.4	—	V
CLOCK OSCILLATION FREQUENCY	FOSC	Ta = 25 °C	—	270	—	KHZ

#### 5. OPTICAL CHARACTERISTICS .

Ta = 25 °C

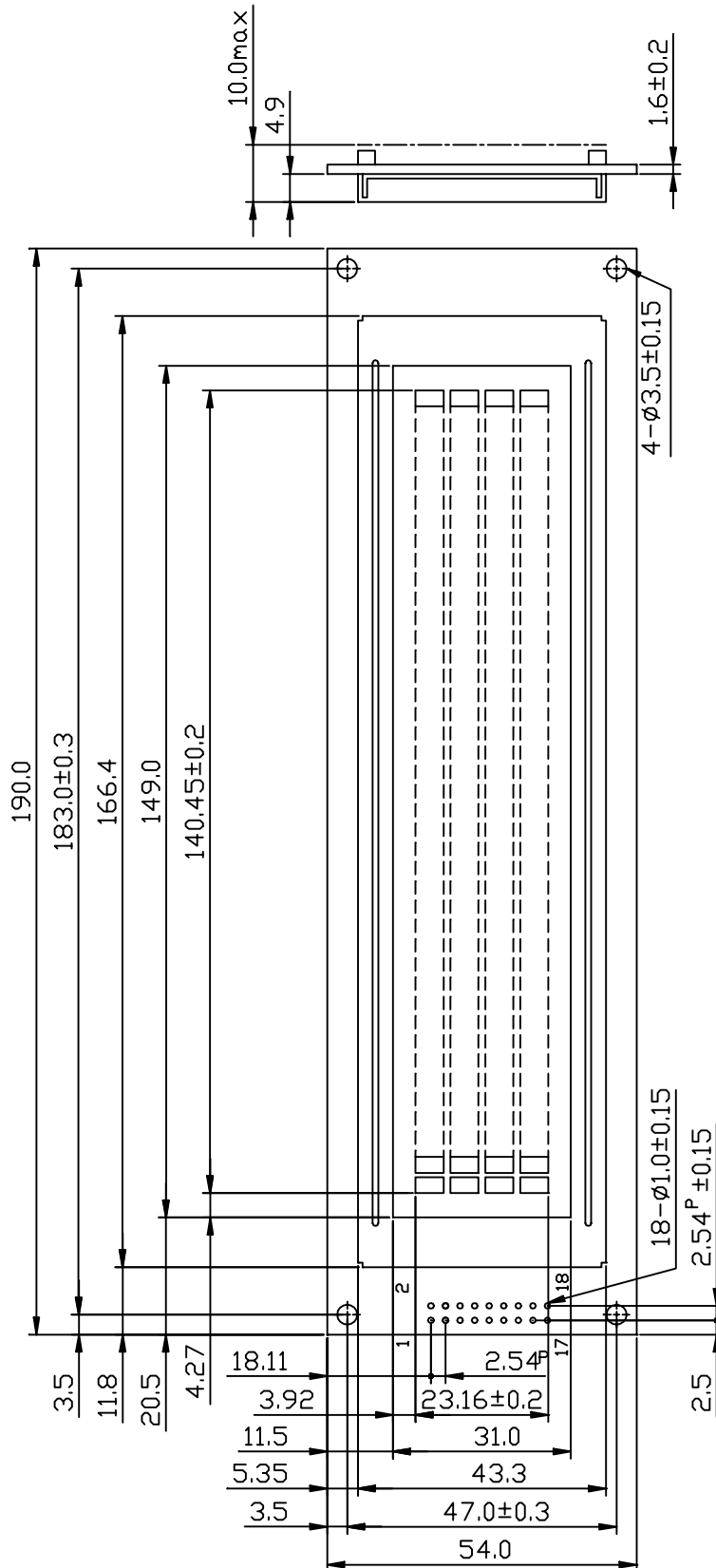
VDD = 5.0 V

I T E M	SYMBOL	CONDITION	MIN .	TYP .	MAX .	UNIT	NOTE	
VIEWING AREA	∅ 2 - ∅ 1	K ≥ 1.4	30	—	—	deg.	1	
CONTRAST RATIO	K	∅ = 10°, θ = 0°	5	—	—	—	1	
RESPONSE TIME	tr ( rise )	∅ = 10° θ = 0°	Ta = -20 °C	—	5538	—	ms	1
			Ta = 25 °C	—	228	—		
			Ta = 70 °C	—	104	—		
	tf ( fall )		Ta = -20 °C	—	2316	—		
			Ta = 25 °C	—	174	—		
			Ta = 70 °C	—	85	—		

NOTE (1): PLEASE REFER TO :

CUSTOMER ACCEPTANCE STANDARD SPECIFICATION : EU-002A

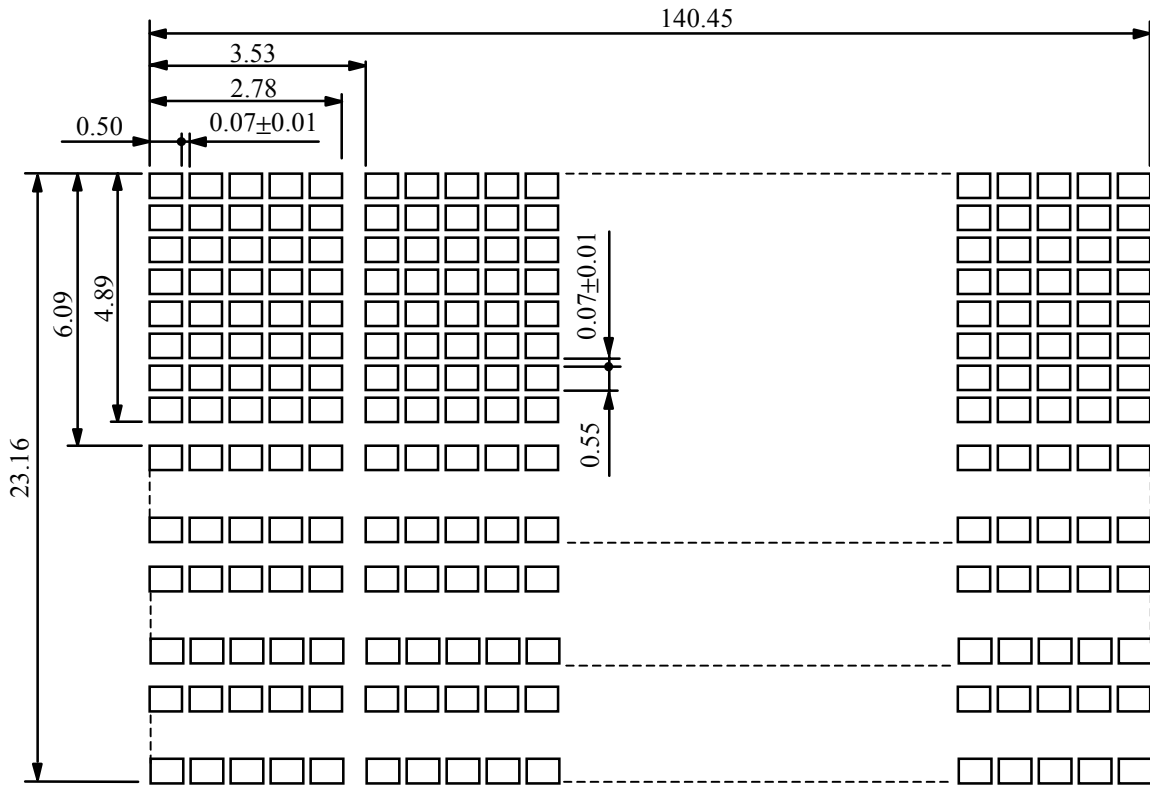
6. OUTLINE DIMENSION



UNIT : mm  
SCALE : NTS  
NOT SPECIFIED TOLERANCE IS ±0.5

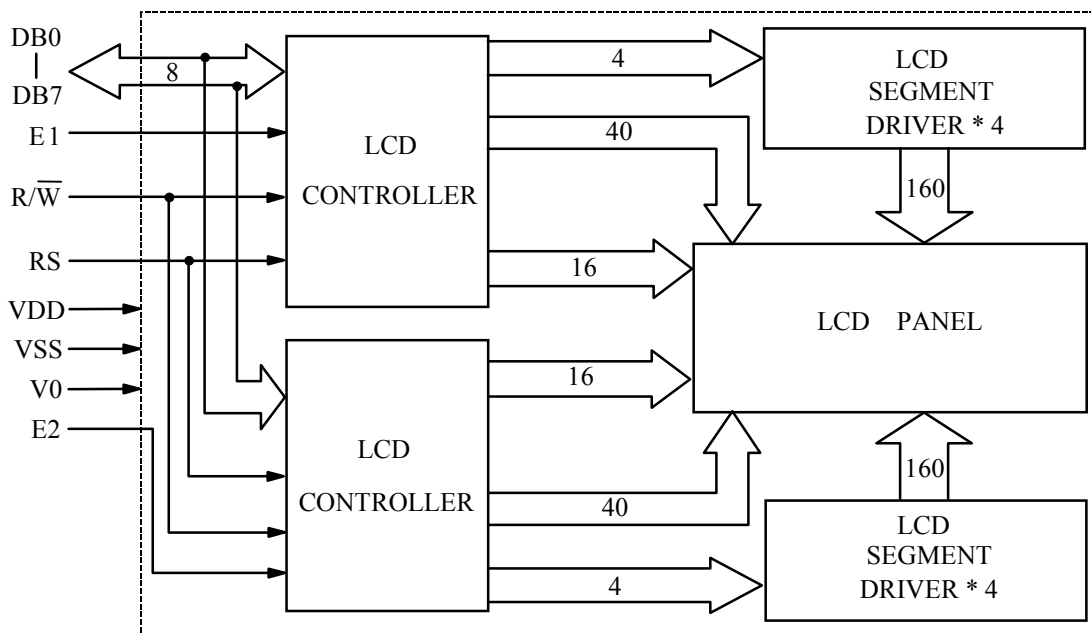


7. DETAIL DRAWING OF DOT MATRIX



UNIT : mm  
SCALE : NTS  
NOT SPECIFIED TOLERANCE IS ± 0.1

8. BLOCK DIAGRAM

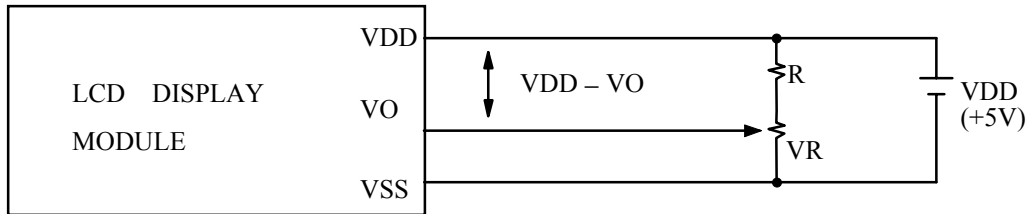


9. INTERFACE SIGNALS

PIN NO.	SYMBOL	DESCRIPTION	FUNCTION
1	DB7	DATA INPUT/OUTPUT LINES	4 BIT/8BIT SELECTABLE  4 BIT : DB4 - DB7 8 BIT : DB0 - DB7
2	DB6		
3	DB5		
4	DB4		
5	DB3		
6	DB2		
7	DB1		
8	DB0		
9	E1	ENABLE INPUT	
10	$\overline{R/W}$	READ/WRITE SELECTION	$\overline{R/W} = 0$ : REGISTER WRITE $\overline{R/W} = 1$ : REGISTER READ
11	RS	INSTRUCTION/DATA REGISTER SELECTION	RS = 0 : INSTRUCTION REGISTER RS = 1 : DATA REGISTER
12	VO	LCD CONTRAST ADJUSTMENT	
13	VSS	GROUND	OV (GND)
14	VDD	POWER SUPPLY FOR LOGIC CIRCUIT	+5V
15	E2	ENABLE INPUT	
16	NC	—	
17	NC	—	
18	NC	—	

## 10. POWER SUPPLY

### 10.1 POWER SUPPLY FOR LCD MODULE



VDD - VO : LCD DRIVING VOLTAGE

VR : 10KΩ ~ 20KΩ

RECOMMENDED RESISTOR R :  $VDD - VO \geq 1.5 V$

### 11. DISPLAY DATA RAM ADDRESS

CHARACTER	1	2	3	4	5	6	7	8	9	10	11	12	13	14	15	16	17	18	19	20
LINE 1	80	81	82	83	84	85	86	87	88	89	8A	8B	8C	8D	8E	8F	90	91	92	93
LINE 2	C0	C1	C2	C3	C4	C5	C6	C7	C8	C9	CA	CB	CC	CD	CE	CF	D0	D1	D2	D3
LINE 3	80	81	82	83	84	85	86	87	88	89	8A	8B	8C	8D	8E	8F	90	91	92	93
LINE 4	C0	C1	C2	C3	C4	C5	C6	C7	C8	C9	CA	CB	CC	CD	CE	CF	D0	D1	D2	D3
CHARACTER	21	22	23	24	25	26	27	28	29	30	31	32	33	34	35	36	37	38	39	40
LINE 1	94	95	96	97	98	99	8A	9B	9C	9D	9E	9F	A0	A1	A2	A3	A4	A5	A6	A7
LINE 2	D4	D5	D6	D7	D8	D9	DA	DB	DC	DD	DE	DF	E0	E1	E2	E3	E4	E5	E6	E7
LINE 1	94	95	96	97	98	99	8A	9B	9C	9D	9E	9F	A0	A1	A2	A3	A4	A5	A6	A7
LINE 2	D4	D5	D6	D7	D8	D9	DA	DB	DC	DD	DE	DF	E0	E1	E2	E3	E4	E5	E6	E7